

Lubricate Grease Fittings

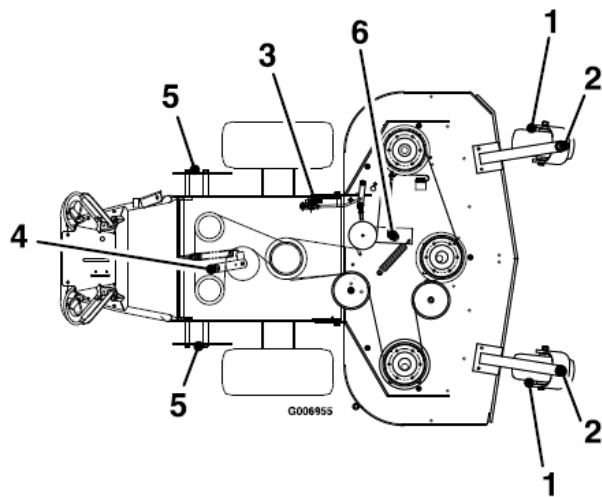
Note: See chart for service intervals.

1. Stop engine, wait for all moving parts to stop, and remove key. Engage parking brake.
2. Lubricate fittings with NGLI grade #2 multi-purpose gun grease.

Refer to the following chart for fitting locations and lubrication schedule.

Lubrication Chart

Fitting Locations	Initial Pumps	Number of Places	Service Interval
1. Caster Wheel Bearings	12	2	Daily
2. Caster Pivots	2	2	Daily
3. PTO Engagement Bellcrank	1	1	Monthly
4. Pump Drive Idler Pivot	2	1	40 hours
5. Pump Control Bearings	2	2	40 hours
6. Mower Deck Idler Pivots	2	1	40 hours



Number 4 Idler Pivot (Pump Drive) Located under engine deck

Number 4 and 6 (Idler Pivots) Disassemble and grease once a month under a “No Load” condition.

3. Lubricate pivot points with a spray penetrating lubricant as shown in the **Spray Lubricant Chart**.

Spray Lubricant Chart

Pivot Point	Number of Places	Service Interval
1. PTO Engagement Upper Bellcrank	1	40 hours