

Lubricate Grease Fittings

Note: See chart for service intervals.

1. Stop engine, wait for all moving parts to stop, and remove key. Engage parking brake.
2. Lubricate fittings with NGLI grade #2 multi-purpose gun grease.

Refer to the following chart for fitting locations and lubrication schedule.

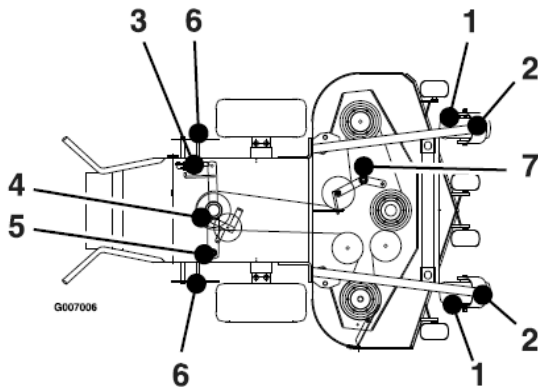
3. Lubricate pivot points with a spray penetrating lubricant as shown in the **Spray Lubricant Chart**.

Spray Lubricant Chart

Pivot Point	Number of Places	Service Interval
1. PTO Lever	1	40 hours

Lubrication Chart

Fitting Locations	Initial Pumps	Number of Places			Service Interval
		36 inch Deck	48 inch Deck	52 inch Deck	
1. Caster Wheel Bearings	12	2	2	2	Daily
2. Caster Pivots	2	2	2	2	Daily
3. PTO Engagement Bellcrank	1	1	1	1	40 hours
4. Pump Drive Idler Pivot	2	1	1	1	Yearly
5. Clutch Arm Pivot	1	1	1	1	40 hours
6. Pump Control Bearings	2	2	2	2	40 hours
7. Mower Deck Idler Pivots	2	1	1	1	Yearly



Number 4 Idler Pivot (Pump Drive) Located under engine deck.

Number 5 (Clutch Arm Pivot) Located under engine deck.