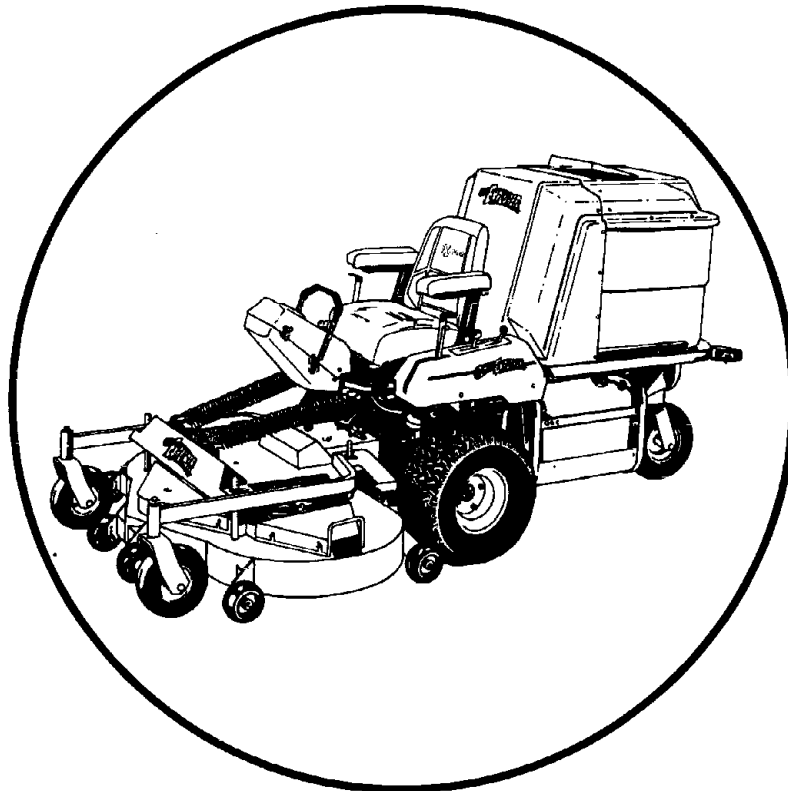




For Serial Nos.
130,000 and Higher

EXPLORER



Parts Manual

CONGRATULATIONS on the purchase of your new Exmark mower. This product has been carefully designed and manufactured to give you a maximum amount of dependability and years of trouble-free operation.

If additional information is needed, or should you require trained mechanic service, contact your authorized Exmark equipment dealer or distributor.

If you need to order replacement parts from your dealer, always give the model number and serial number of your mower as well as the part number, description and quantity of the part needed.

The Serial No. plate is located on the rear frame gusset, located on the right hand side of the machine and for the deck is on the front support pin gusset on right hand side of the deck or just to inside of the back edge of the right belt guard.

For ease of ordering and reference, we suggest that you record the information requested in the following identification table.

Tractor Model No. _____

Tractor Serial No. _____

Deck Model No. _____

Deck Serial No. _____

Date Purchased _____

Purchased From _____

Paste Label From
Literature Packet Here

EXMARK PARTS PLUS® PROGRAM

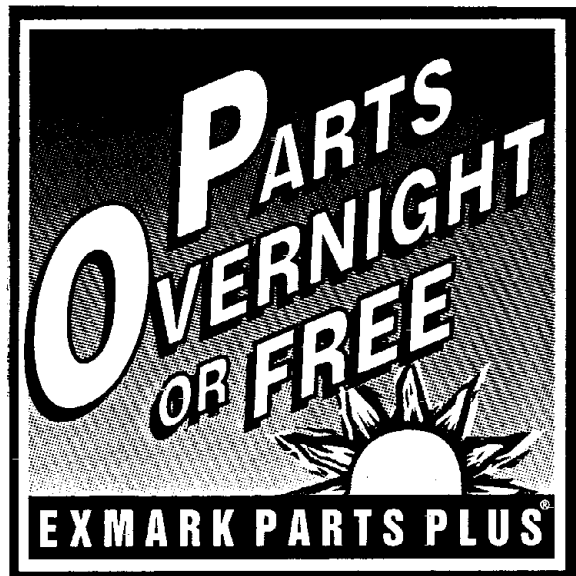
EFFECTIVE DATE: September 1, 1995

Program

If your Exmark dealer does not have the Exmark part in stock, Exmark will get the parts to the dealer the next business day or the part will be FREE* Guaranteed!!

How the Program Works

1. If dealer does not have part in stock for a "down" unit at the time of request by customer, the dealer contacts his distributor by 1:00 p.m., local time, and requests Exmark Parts Plus® shipment of six (6) line items or less.
2. Distributor ships part(s) to dealer or customer, as requested by dealer, same day, overnight UPS Distributor bills dealer for part and freight charges where applicable.
3. If distributor does not have the part(s) in stock to satisfy Exmark Parts Plus® order, he contacts Exmark by 3:00 p.m., central time, with an Exmark Parts Plus® order of six (6) line items or less.
4. If order is received by 3:00 p.m. central time, Exmark ships part(s) direct to dealer or customer, as requested by distributor, same day, overnight UPS Exmark bills the distributor for parts and shipping charges, where applicable.
5. The customer pays for the part and freight if it is shipped under the Exmark Parts Plus® and if it arrive in accordance to the program.
6. Who pays for the part and freight if it fails to arrive overnight in accordance to the program?
 - A. Under any circumstance the customer does not pay.
 - B. If the part does not arrive overnight due to:
 1. The dealer not submitting the Exmark Parts Plus® order to his Exmark distributor by 1:00 p.m., the dealer pays for the part and freight.
 2. The Distributor being unable to ship the part the same day or not submitting the Exmark Parts Plus® order to Exmark by 3:00 p.m., central time, the Distributor pays for the part and freight.
 3. Exmark being unable to ship the part and the Exmark parts order is received by 3:00 p.m., central time, Exmark pays for the part and freight.
 4. If the part does not arrive overnight due to the shipper (UPS), the shipper pays for the freight and Exmark pays for the part.



The following restrictions apply -- The Exmark Parts Plus® Program is available only through participating Exmark Dealers and applies only to orders submitted on this program Monday through Thursday. UPS has initiated a Saturday delivery program to many areas of the continental United States and can be requested for an overnight shipment on Friday to be delivered Saturday. The next day air charge, plus the Saturday delivery fee will be the responsibility of the purchaser. Exmark Mfg. will assume no responsibility for Saturday delivery shipments. To qualify, all Exmark Parts Plus® orders must be received by Exmark by 3:00 p.m., central time. Orders must be six (6) line items or less. Exclusions from the Exmark Parts Plus® Program are: Any wholegood or accessory in its entirety, engines and engine replacement parts, 5-speed Peerless transmissions and 5-speed transaxles, hydraulic or hydrostatic wheel motors, cutter decks and engine decks or any item exceeding United Parcel Service size and weight restrictions.

Due to UPS restrictions, aerosol spray paint is considered a hazardous material and cannot be shipped via UPS next day or Second Day Air.

Exmark Manufacturing stocks a limited supply of parts for transaxles, pumps and wheel motors. These parts can be ordered for Next Day Air shipment but will not be guaranteed per the Parts Plus Program.

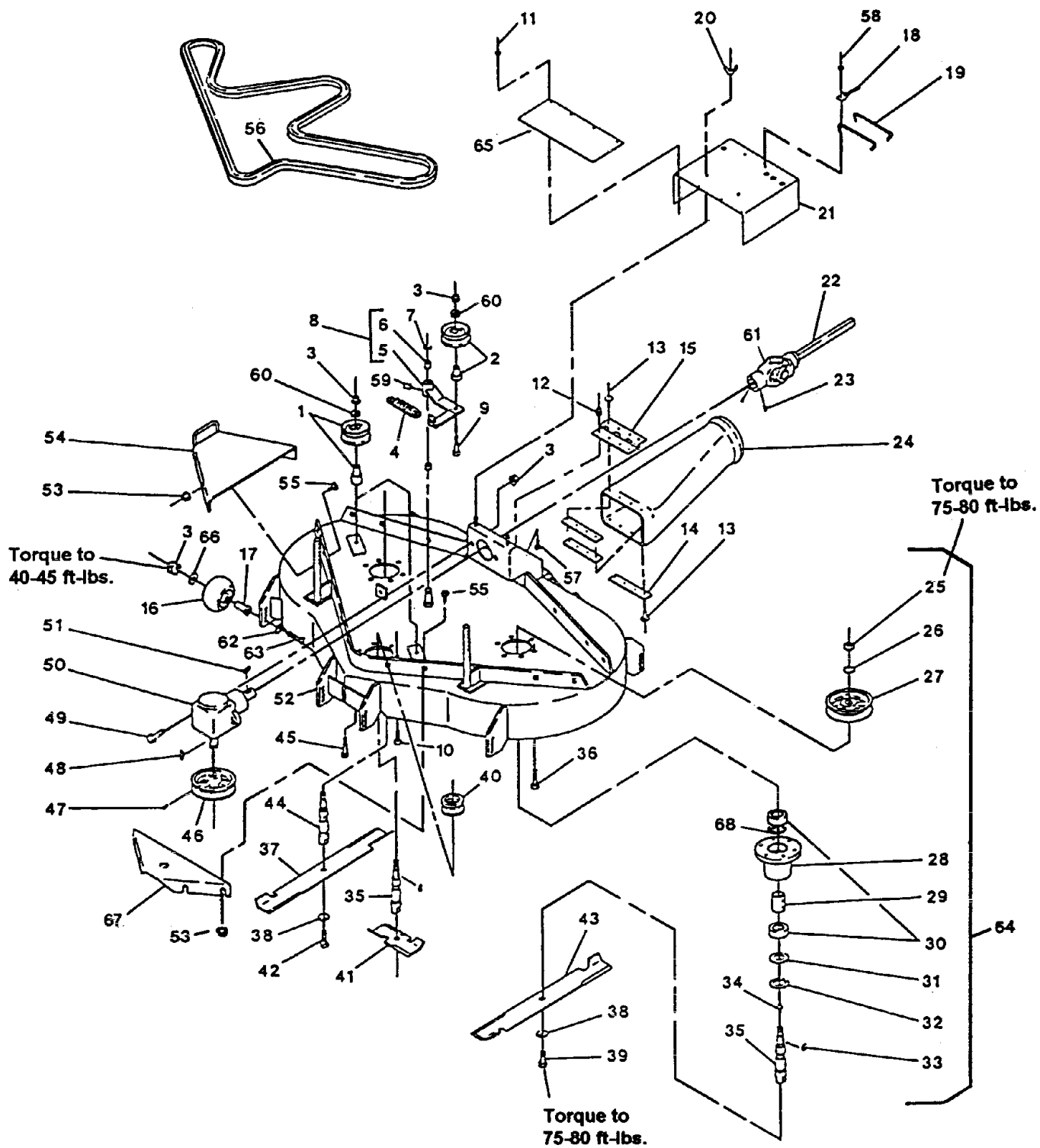


**READ OPERATOR'S MANUAL BEFORE
OPERATING OR SERVICING EXMARK EQUIPMENT.**

TABLE OF CONTENTS

<u>Description</u>	<u>Page</u>
Blower, Primary and Secondary Transfer Group	14-15
Caster Wheel Assembly	17
Decals	16
Electrical Diagrams	19
Electrical Group.....	18
Engine Compartment	11
44" and 52" Mower Deck (rear discharge).....	2-3
44" and 52" Mower Deck Support (rear discharge).....	6
52" Mower Deck (side discharge).....	4-5
52" Mower Deck Support (side discharge)	7
Grass Catcher	12
Hydraulics	13
Lever Steering Controls.....	10
Main Frame Group	8
Parking Brakes.....	9

44" & 52" REAR DISCHARGE MOWER DECKS



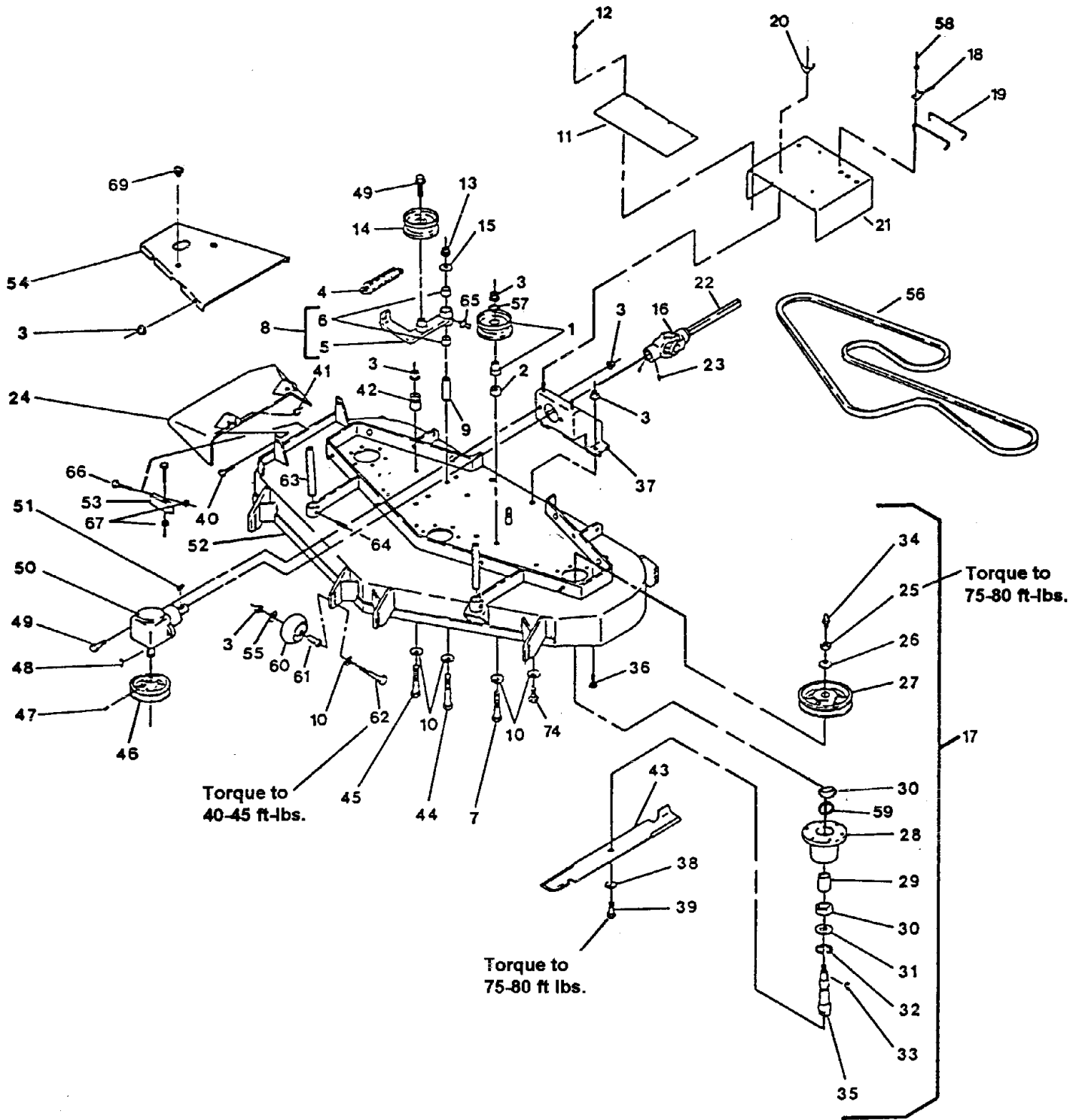
44" & 52" REAR DISCHARGE MOWER DECKS

Ref. No.	Part No.	Description	Qty. Req'd.	Ref. No.	Part No.	Description	Qty. Req'd.
1	512805	Idler & Bushing Kit	2	39	800340	Screw, 5/8-11 x 1	2
	513787	Idler Pulley	2	40	513976	Sheave, bld drv	1
	513789	Bushing	2	41	523508	Blade, 10"	1
2	512806	Idler & Bushing Kit.....	1		523512	Blade, 10" low lift	1
	513787	Idler V-Belt	1	42	800341	Screw, 5/8-11 x 1 (LH).....	1
	513791	Bushing	1	43	523504	Blade, 22" LH (44" deck)	1
3	809007	Nut, whizlock3/8-16(44" deck) 5			523506	Blade, 26" LH (52" deck)	1
	809007	Nut, whizlock3/8-16(52" deck) 11			523510	Blade, 26" LH low lift (52")	1
4	513308	Spring, deck idler	1	44	523503	Spindle, blade (LH thread).....	1
5	512359	Idler wldmnt, deck drive	1	45	800297	Screw, 3/8-16 x 2 1/4	2
6	513034	Bearing, DU.....	2	46	523159	Sheave, 6.45 O.D.	1
7	808500	E-Ring	1	47◇	803310	Set screw, 5/16-18 x 3/8.....	1
8	512802	idler arm sub assy.....	1	48	807009	Key, wdrrf 3/16 x 3/4 #9.....	1
9	800295	Screw, 3/8-16 x 1 3/4	1	49	803016	Screw, whizlock 3/8-16 x 1	2
10	809027	Screw, taptite3/8-16x3/4	6	50	513635	Gearbox, mower deck	1
11	803035	Rivet, 3/16 x 1/4	4	51	807005	Key, wdrrf 5/32 x 5/8 #6.....	1
12	804252	Nut, nylock #10-24	4	52	522202	Deck wldmnt (44" deck).....	1
13	803012	Rivet, 3/16 x 3/8	8		522263	Deck wldmnt (52" deck).....	1
14	513429	Stiffener, discharge chute	3	53	809001	Nut, whzclck 5/16-18 (44"deck) 12	
15	513436	Hinge, discharge chute	1	54	512988	Guard, belt	2
16	603299	Roller, anti-scalp (52" deck)....	6	55	807503	Bolt, carriage5/16-18x3/4.....	12
17	603602	Bushing, roller (52" deck).....	6	56	523193	Belt, deck drive (44" deck).....	1
18	513690	Clip, deck hold-up rod	2		513984	Belt, deck drive (52" deck).....	1
19	513630	Rod, deck hold-up (44" deck)..	2	57	807513	Bolt, carriage 10-24 x 1/2.....	4
	513879	Rod, deck hold-up (52" deck)..	2	58	803010	Rivet, 3/16 x 1/4	2
20	513959	Wingnut 5/16-18.....	2	59	811008	Zerk, 1/4-28 (90°)	1
21	523402	Guard, PTO.....	1	60	805259	Washer 3/8 Flat	3
22	513196	PTO shaft, shaft half	1	61	523158	U-joint repair kit.....	1
23◇	803049	Set screw, 3/8-16 x 3/4	2	62	303327	Washer, sprng (52" deck).....	6
24	512710	Discharge tube sub assy.....	1	63	800807	Screw, 3/8-16 x 4 (52" deck) ..	6
	513046	Tube, discharge extension.....	1	64	524533	Housing, cutter complete,	
25	804510	Nut, 5/8-18 UNF.....	3			center (44" deck)	1
26	513208	Washer, spring disk	3		524536	Housing, cutter complete,	
27	523191	Sheave, bld drv (44" deck).....	2			left (44" deck).....	1
	513983	Sheave, bld drv (52" deck).....	2		524537	Housing, cutter complete,	
28	413314	Housing, bearing.....	3			right (44" deck)	1
29	513188	Spacer, bearing.....	3		524533	Housing, cutter complete,	
30	303543	Bearing, ball	6			center (52" deck)	1
31	513193	Seal, dust.....	3		524532	Housing, cutter complete,	
32	808506	Ring, retaining	3			left (52" deck).....	1
33	807006	Key, woodruff #61	3		524531	Housing, cutter complete,	
34	811006	Zerk, 1/4-28 (straight)	3			right (52" deck)	1
35	523502	Spindle, blade (RH thread).....	2	65	523403	Shield, gearbox (rubber).....	1
36	809035	Screw, tap 3/8-16 x 1 (52" dk). 12		66	373034	Washer, swivel.....	6
37	523505	Blade, 22" RH (44" deck)	1	67	523200	Guard, belt (front)(44" deck) ...	1
	523507	Blade, 26" RH (52" deck)	1		513990	Guard, belt (front)(52" deck) ...	1
	523511	Blade, 26" RH low lift (52" dk). 1		68	303542	O-ring.....	3
38	513208	Washer, spring disc 5/8	3				

◇ Use Pro-lock nut type (Part No. 840022, .5 ml tube) on set screws

Exmark red touch up spray paint - P/N 850337

52" SIDE DISCHARGE MOWER DECK



52" SIDE DISCHARGE MOWER DECK

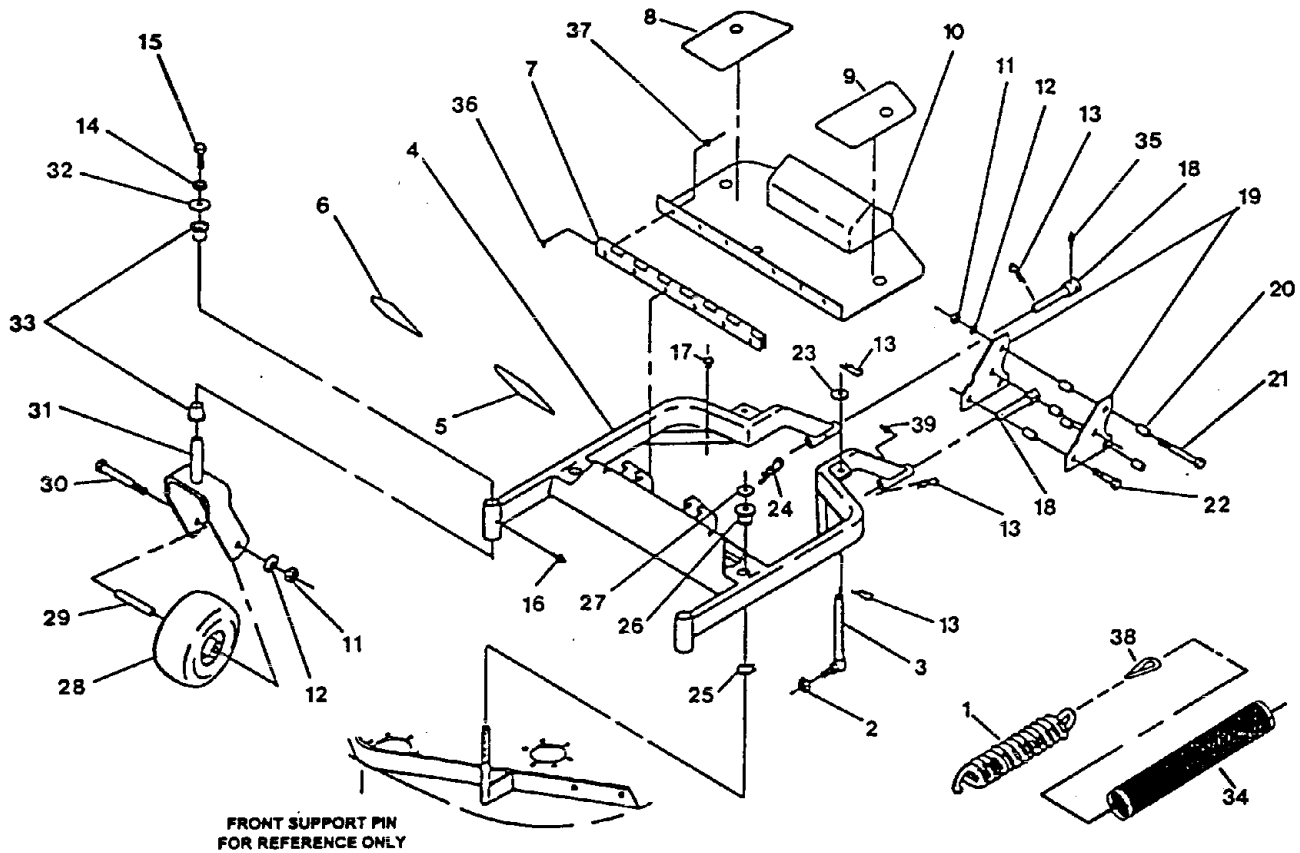
Ref. No.	Part No.	Description	Qty. Req'd.	Ref. No.	Part No.	Description	Qty. Req'd.
1	602501	Idler & Bushing Kit.....	1	37	512904	Support, gearbox	1
	603497	Idler Pulley	1	38	513208	Washer, spring disc 5/8	3
	603496	Bushing	1	39	800340	Screw, 5/8-11x1.....	3
2	603050	Spacer.....	1	40	800273	Screw, 5/16-18 x 1.....	2
3	809007	Nut, whizlock 3/8-16.....	22	41	804256	Nut, nylock 5/16-18.....	2
4	513170	Spring, deck idler	1	42	603422	Anchor, spring.....	1
5	512909	Idler wldmnt, deck drive	1	43	633482	Blade, 18"	3
6	513034	Bearing, DU.....	2		633485	Blade, low lift	3
7	800297	Screw, 3/8-16 x 2 1/4	1	‡	633484	Blade, mulching	3
8	512935	Idler arm sub assy.....	1	44	800298	Screw, 3/8-16 x 2 1/2.....	1
9	603044	Bushing, idler pivot.....	1	45	800296	Screw, 3/8-16 x 2.....	1
10	303327	Washer, 38 disc spring	13	46	523159	Sheave, 6.45 OD	1
11	523403	Shield, PTO (rubber).....	1	47◇	803310	Set screw, 5/16-18 x 3/8.....	1
12	803035	Rivet, 3/16 x 1/4	4	48	807009	Key, wdrrf #9, 3/16 x 3/4	1
13	804257	Nut, nylock 3/8-16	1	49	803016	Screw, whizlock 3/8-16 x 1	3
14	603497	Pulley, idler.....	1	50	513635	Gearbox, mower deck	1
15	805260	Washer, 3/8.....	1	51	807005	Key, wdrrf #6, 5/32 x 5/8	1
16	523158	U-joint repair kit.....	1	52	522518	Deck w/discharge baffle, pins and decals.....	1
17	614145	Housing, cutter (complete).....	3	*	612153	Deck weldmt	1
18	513690	Clip, deck hold-up rod	2	53	602913	Baffle.....	1
19	513879	Rod, deck hold-up.....	2	54	513906	Cover, deck	2
20	513959	Wingnut, 5/16-18.....	2	55	373034	Washer, swivel	6
21	523402	Guard, PTO.....	1	56	513910	Belt, deck drive	1
22	513196	PTO shaft, shaft half	1	57	805259	Washer, 3/8 flat	1
23◇	803049	Set screw, 3/8-16 x 3/4	2	58	803010	Rivet , 3/16.....	2
24	602571	Chute, discharge	1	59	303542	O-ring.....	3
25	804510	Nut, 5/8-18 UNF.....	3	60	603299	Roller, anti-scalp.....	6
26	513208	Washer, spring disk	3	61	603602	Bushing, roller.....	6
27	513207	Sheave, bld drv 6.55 OD.....	3	62	800807	Screw, 3/8-16 x 4.....	6
28	413314	Housing, bearing.....	3	63	603001	Rod, deck support	2
29	513188	Spacer, bearing.....	3	64	806332	Roll pin, 1/4 x 1 1/2	2
30	303543	Bearing, ball	6	65	811008	Zerk, 1/4-28 (90°)	1
31	513193	Seal, dust.....	3	66	800270	Screw, 5/16-18 x 5/8.....	6
32	808506	Ring, retaining.....	3	67	809001	Nut, whizlock 5/16-18	6
33	807006	Key, woodruff #61	3	68	513291	Bumper, rubber.....	2
34	811006	Zerk, 1/4-28 (straight)	3	69	800292	Screw, 3/8-16 x 1.....	4
35	613106	Spindle, blade	3				
36	809035	Screw, tap 3/8-16 x 1	18				

◇ Use Pro-lock nut type (Part No. 840022, .5 ml tube) on set screws.

‡ Requires installation of Micro-Mulch assessor for proper mulching. Mulch kit P/N MK523
Exmark red touch up spray paint - P/N 850337

* Deck weldmt does include welded in flow control baffles.

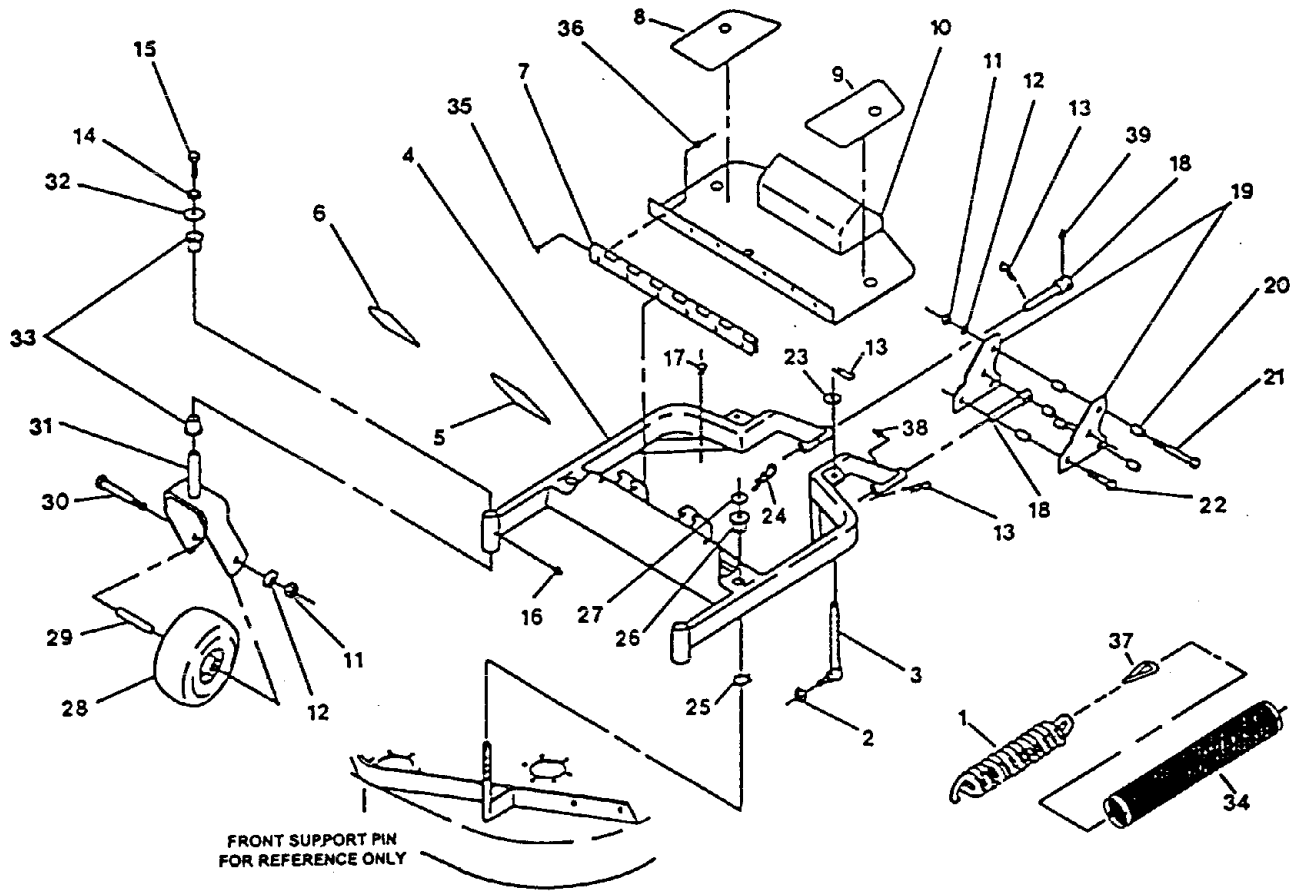
44" & 52" REAR DISCHARGE MOWER DECK SUPPORT



Ref. No.	Part No.	Description	Qty. Req'd.	Ref. No.	Part No.	Description	Qty. Req'd.
1	513596	Spring, deck support.....	4	19	523314	Bracket, deck pivot.....	4
2	803031	Nut, torque 3/8-24 UNF.....	2	20	513315	Spacer, pivot mounting.....	12
3	603540	Link, rear deck support.....	2	21	800337	Screw, 1/2-13 x 7.....	4
4	524097	Support wldmnt, 44" deck (w/bushings & decals)		22	800333	Screw, 1/2-13 x 2-1/2.....	4
	524098	Support wldmnt, 52" deck (w/bushings & decals).....	1	23	805267	Washer, 5/8.....	2
5	513680	Pad, anti skid (upper LH).....	1	24	806007	Clip, hair pin 7/8.....	2
6	513679	Pad, anti skid (upper RH).....	1	25	808507	Ring, retaining.....	2
7	513413	Hinge, floor pan (44" deck).....	1	26	513336	Bushing, deck support.....	2
	513854	Hinge, floor pan (52" deck).....	1	27	513338	Washer.....	2
8	513681	Pad, anti skid (lower RH).....	1	28	513648	Wheel & tire assy.....	2
9	513682	Pad, anti skid (lower LH).....	1		513807	Wheel.....	2
10	512419	Floor pan, (44" deck).....	1		513808	Tire, 9 x 3.50-4.....	2
	512874	Floor pan, (52" deck).....	1		513809	Bearing.....	2
	804509	Nut, 1/2-13.....	10		513810	Bushing.....	4
11	805008	Washer, lock 1/2.....	10	29	513547	Spacer, front caster.....	2
12	805006	Clip, hair pin 1/2.....	10	30	800334	Screw, 1/2-13 x 6.....	2
13	806006	Clip, hair pin 5/8.....	6	31	522143	Caster, weldment.....	2
14	805006	Washer, lock 3/8.....	2	32	373034	Washer, swivel.....	2
15	800292	Screw, 3/8-16 x 1 Gr.5.....	2	33	303514	Bearing, flanged.....	4
16	811001	Zerk, 1/8 NPT (straight).....	2	34	523427	Cover, spring.....	4
17	513658	Rubber Bumper.....	2	35	811006	Zerk, 1/4-28 (straight).....	2
18	522317	Pivot mounting w/zerk.....	2	36	803028	Screw, 10-24 x 5/8.....	12
				37	804252	Nut, nylock 10-24.....	12
				38	523431	Link, deck spring.....	4

Exmark red touch up spray paint - P/N 850337

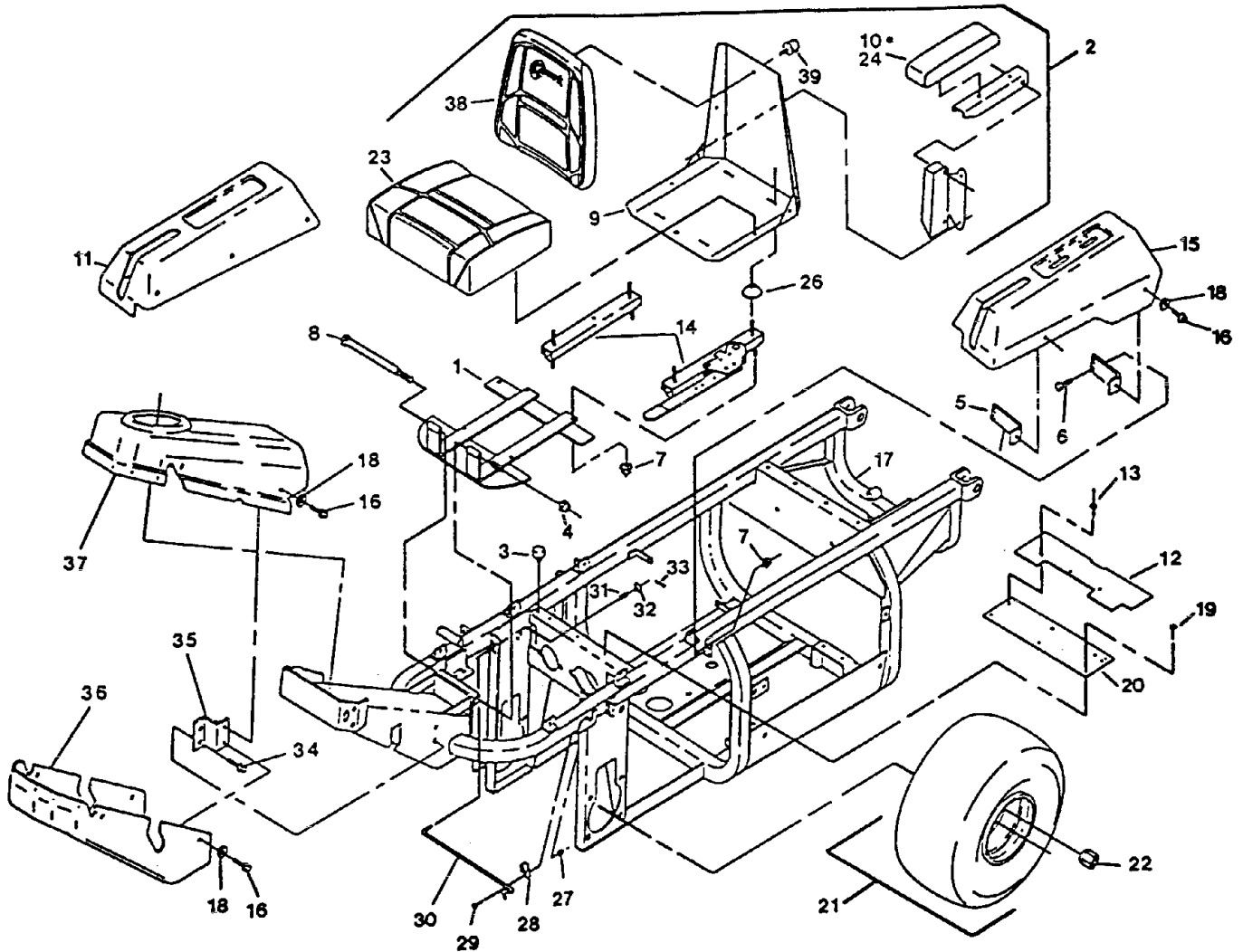
52" SIDE DISCHARGE MOWER DECK SUPPORT



Ref. No.	Part No.	Description	Qty. Req'd.	Ref. No.	Part No.	Description	Qty. Req'd.
1	513596	Spring, deck support.....	4	21	800337	Screw, 1/2-13 x 7.....	4
2	803031	Nut, torque 3/8-24 UNF.....	2	22	800333	Screw, 1/2-13 x 2-1/2.....	4
3	603540	Link, rear deck support.....	2	23	513916	Spacer, rear deck supp.....	2
4	524098	Support wldmnt, 52" deck (w/bushings & decals).....	1	24	806007	Clip, hair pin 7/8.....	2
5	513680	Pad, anti skid (upper LH).....	1	25	808507	Ring, retaining.....	2
6	513679	Pad, anti skid (upper RH).....	1	26	513336	Bushing, deck support.....	2
7	513854	Hinge, floor pan.....	1	27	303314	Spacer.....	2
8	513681	Pad, anti skid (lower RH).....	1	28	513648	Wheel & tire assy.....	2
9	513682	Pad, anti skid (lower LH).....	1		513807	Wheel.....	2
10	512874	Floor pan, (52" deck).....	1		513808	Tire, 9 x 3.50-4.....	2
11	804509	Nut, 1/2-13.....	10		513809	Bearing.....	2
12	805008	Washer, lock 1/2.....	10		513810	Bushing.....	4
13	806006	Clip, hair pin 5/8.....	4	29	513547	Spacer, front caster.....	2
14	805006	Washer, lock 3/8.....	2	30	800334	Screw, 1/2-13 x 6.....	2
15	800292	Screw, 3/8-16 x 1 Gr.5.....	2	31	522143	Caster wldmnt (front).....	2
16	811001	Zerk, 1/8 NPT (straight).....	2	32	373034	Washer, swivel.....	2
17	513658	Rubber Bumper.....	2	33	303514	Bearing, flanged.....	4
18	522317	Pivot mounting w/zerk.....	2	34	523427	Cover, spring.....	4
19	523314	Bracket, deck pivot.....	4	35	803028	Screw, 10-24 x 5/8.....	12
20	513315	Spacer, pivot mounting.....	12	36	804252	Nut, nylock 10-24.....	12
				37	523431	Link, deck spring.....	4
				38	811006	Zerk, 1/4-28 (straight).....	2

Exmark red touch up spray paint - P/N 850337

MAIN FRAME GROUP

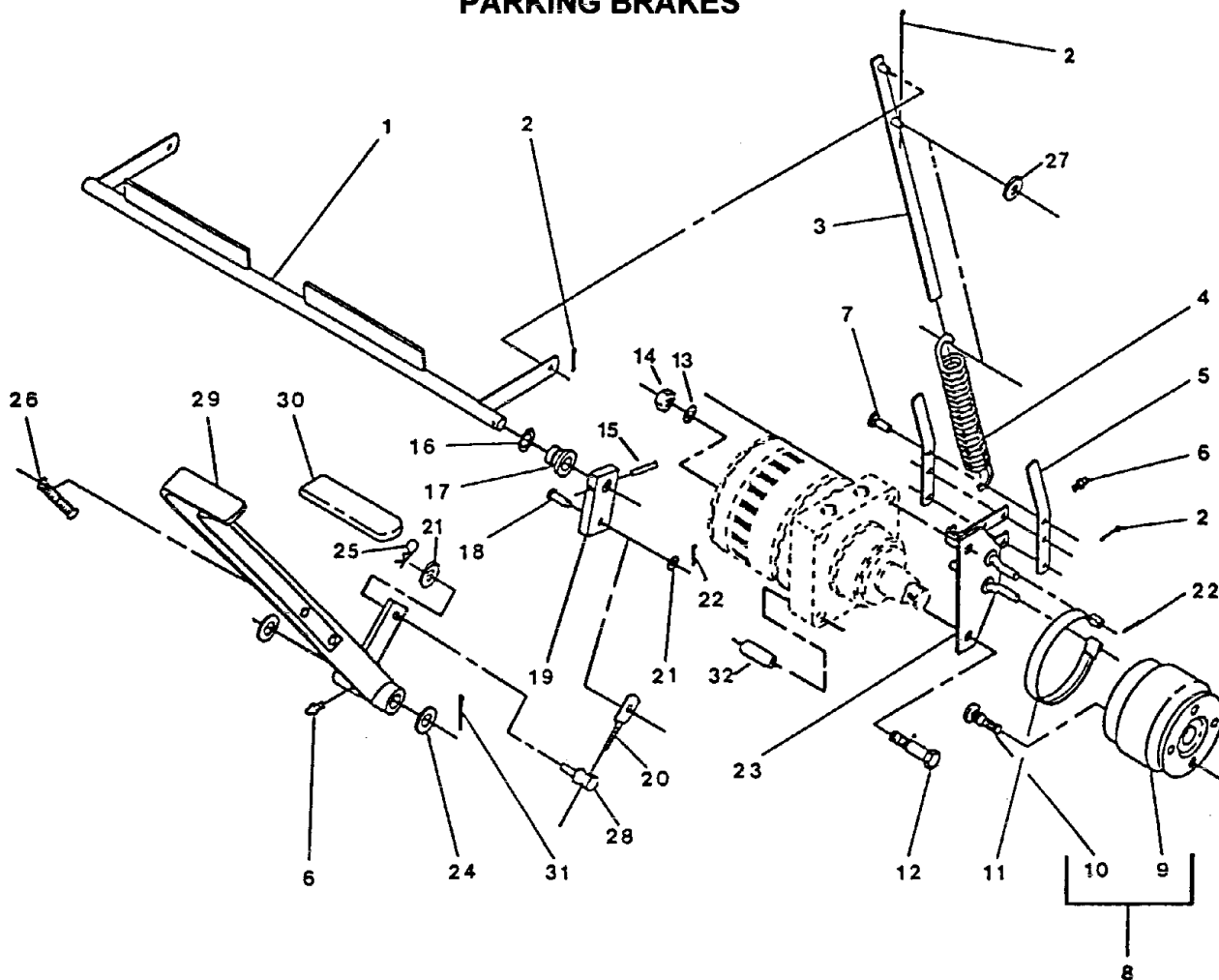


Ref. No.	Part No.	Description	Qty. Req'd.	Ref. No.	Part No.	Description	Qty. Req'd.
1	522411	Seat mount.....	1	21	543396	Wheel/tire assy 20 x 10-8.....	2
2	633461	Seat, complete.....	1		513042	Wheel.....	2
3	513291	Bumper, rubber.....	2		543680	Tire 20 x 10-8.....	2
4	804257	Nut, nylock 3/8-16.....	1	22	513011	1/2-20 Wheel Nut.....	8
5	513175	Support, fender.....	4	23	543407	Cushion, seat.....	1
6	800271	Screw, 5/16-18 x 3/4.....	8	24	543409	Cushion, arm rest, RH.....	1
7	809001	Nut, whizlock 5/16-18.....	12	26	543401	Spacer, seat track.....	4
8	800309	Screw, 3/8-16 x 9 1/2.....	1	27	804252	Nut, nylock 10-24.....	1
9	543347	Seat, w/cushion.....	1	28	513639	Clip, seat holdup rod.....	1
10*	543411	Cushion, arm rest, LH.....	1	29	803028	Screw, 10-24 x 5/8.....	1
11	513677	Fender, RH.....	1	30	513684	Rod, seat holdup.....	1
12	523404	Shield (rubber), pump belt.....	1	31	513641	Spring, seat holdup rod.....	1
13	803035	Rivet, 3/16 x 1/4.....	3	32	805256	Washer, 1/4.....	1
14	523428	Track, seat (4" adjusting).....	1	33	806753	Pin, cotter 3/32 x 1/2.....	1
15	513676	Fender, LH.....	1	34	802001	Screw, 12-24 x 1/2.....	4
16	803036	Screw, 12-24 x 3/4.....	18	35	513692	Tab, mount (console).....	2
17	522347	Frame, main.....	1	36	513686	Console, steering (bottom).....	1
18	805254	Washer, #12.....	16	37	513685	Console, steering (top).....	1
19	802002	Screw, 10-32 x 1/2.....	3	38	543408	Cushion, back rest.....	1
20	523405	Shield, pump belt.....	1	39	523420	Bumper, rubber.....	1

* Not Illustrated.

Exmark black touch up spray paint - Gloss black

PARKING BRAKES



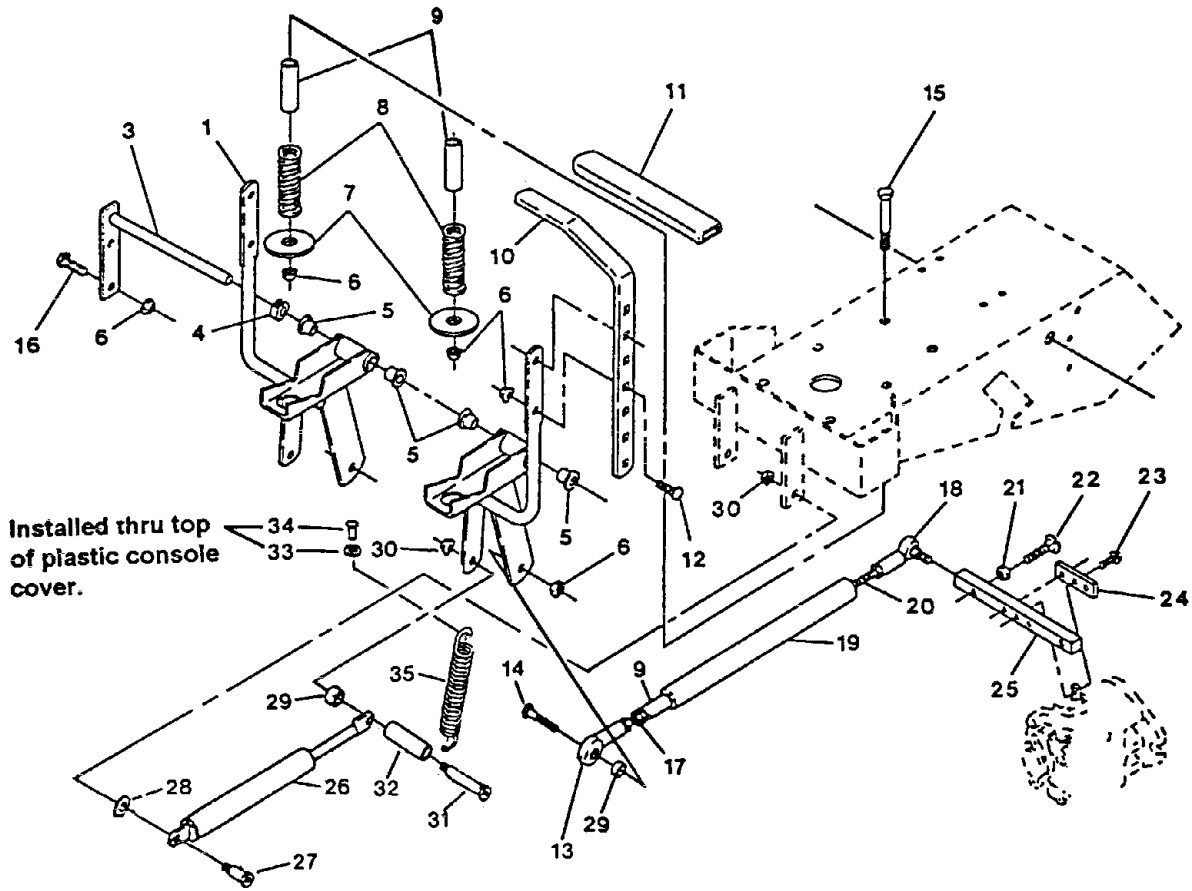
Ref. No.	Part No.	Description	Qty. Req'd.	Ref. No.	Part No.	Description	Qty. Req'd.
1	512182	Rod, lockout.....	1	18	808280	Pin, clevis 5/16 x 1.....	1
2	806753	Pin, cotter 3/32 x 1/2.....	10	19	513330	Link, lockout.....	1
3	512349	Link, brake.....	2	20	513778	Link, brake actuator.....	1
4	513170	Spring, brake apply.....	2	21	805257	Washer, 5/16.....	2
5	513364	Link, brake connecting.....	4	22	806761	Pin, cotter 1/8 x 3/4.....	5
6	811006	Zerk, grease 1/4-28 (strght)....	5	23	522358	Bracket, brake (LH).....	1
7	808264	Pin, clevis 1/4 x 9/16.....	6	*	522356	Bracket, brake (RH).....	1
8	512074	Hub & brake drum ass'y.	2	24	805263	Washer, 1/2.....	2
9	513063	Hub & brake drum.....	2	25	806003	Hairpin, cotter #2.....	1
10	513025	Bolt, hub.....	8	26	513468	Spring, brake handle.....	1
11	513048	Band, brake.....	2	27	805256	Washer, 1/4.....	2
12	800336	Screw, 1/2-13 x 4-1/2.....	4	28	513815	Swivel, adjustment (short).....	1
13	805008	Washer, lock 1/2.....	4	29	512786	Handle/trigger (brake).....	1
14	804509	Nut, 1/2-13.....	4	30	303020	Grip, brake handle.....	1
15	806325	Roll Pin, .188 x 1.0.....	1	31	806762	Pin, cotter 1/8 x 1.....	1
16	808505	E-Ring.....	2	32	523303	Spacer.....	8
17	513803	Bushing, lockout rod.....	2				

* Not Illustrated.

∇Add anti-seize compound between hub and drive motor shaft.

Exmark black touch up spray paint - Gloss black

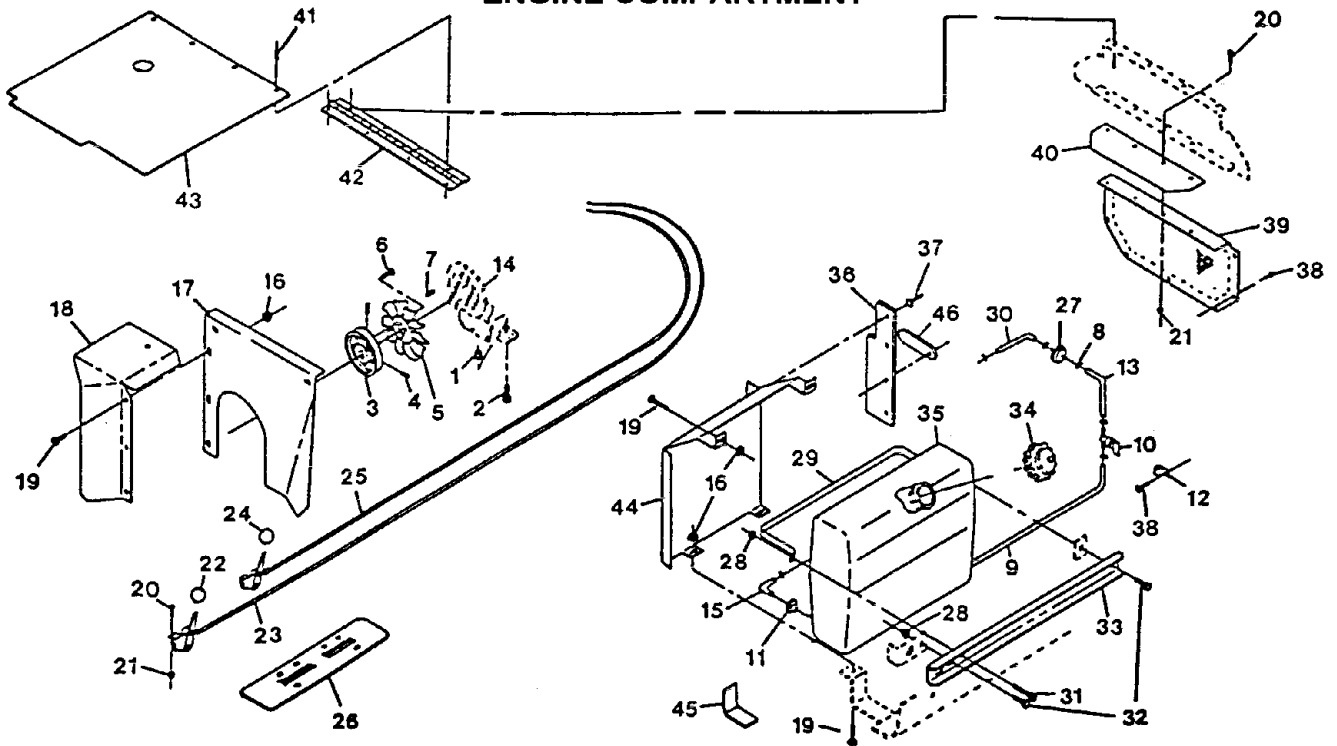
LEVER STEERING CONTROLS



Ref. No.	Part No.	Description	Qty. Req'd.	Ref. No.	Part No.	Description	Qty. Req'd.
1	522060	Control, Motion (RH).....	1	19	512136	Housing, override	2
2	522058	Control, Motion (LH)	1	20	513499	Rod, steering	2
3	522053	Shaft, control.....	1	21	804750	Nut, jam 1/4-20.....	4
4	809023	Collar, clamptype	1	22	807504	Screw, 1/4-20 x 1-1/2	4
5	513140	Bearing, control.....	4	23	803026	Screw, M5 x .8 x 25 mm.....	6
6	809001	Nut, whizlock 5/16-18	10	24	513151	Clamp, plate	2
7	513516	Washer, reverse indicator.....	2	25	513146	Arm, pump.....	2
8	513296	Spring, reverse indicator.....	2	26	523027	Damper, motion control.....	2
9	513479	Bushing, spring guide	4	27	809078	Bolt, 5/16 x 1/4 sckt hd shldr ...	2
10	523055	Lever, control.....	2	28	805257	Washer, 5/16.....	4
11	523063	Grip, motion control	2	29	603500	Spacer.....	4
12	807506	Bolt, carriage 5/16-18 x 1	4	30	809012	Nut, whizlock 1/4-20.....	4
13	543017	Ball joint	2	31	809077	Bolt, 5/16 x 1-1/2 shoulder	2
14	800274	Screw, 5/16-18 x 1-1/4	2	32	523500	Spacer	2
15	800277	Screw, 5/16-18 x 2.....	2	33	805252	Washer #10 flat	2
16	800270	Screw, 5/16-18 x 5/8.....	2	34	808260	Pin, clevis 3/16 x 1/2	2
17	804758	Nut, jam 5/16-24	10	35	523498	Spring, motion control	2
18	513132	Ball joint	2				

Exmark black touch up spray paint - Gloss black

ENGINE COMPARTMENT



Ref. No.	Part No.	Description	Qty. Req'd.	Ref. No.	Part No.	Description	Qty. Req'd.
1	809007	Nut, whizlock 3/8-16.....	4	21	804252	Nut, nylock 10-24.....	10
2	800294	Screw, 3/8-16 x 1-1/2.....	3	22	513592	Knob, red ball.....	1
	800295	Screw, 3/8-16 x 1-3/4.....	1	23	523276	Cable, throttle.....	1
3	513040	Sheave 5.95 O.D. (B Belt).....	1	24	513593	Knob, black ball.....	1
40	803022	Set screw, 5/16-18 x 5/8 Sq....	2	25	523277	Cable, choke.....	1
5	513697	Fan - Belt Cooling.....	1	26	513764	Plate, fender (LH).....	1
60	800251	Screw, 1/4-20 x 5/8.....	3	27	523538	Filter, fuel line.....	1
7	807263	Key, 1/4 Sq. x 1-1/4.....	1	28	804255	Nut, nylock 1/4-20.....	3
8	303077	Clamp, gas line.....	6	29	513647	Strap, fuel tank mounting.....	1
9	303472	Hose, fuel (19").....	1	30	303426	Hose, fuel (15").....	1
10	603770	Valve, fuel shut off.....	1	31	800009	Bolt, tap 1/4-20 x 2-1/2.....	1
11	513645	Bushing, fuel tank.....	1	32	800252	Screw, 1/4-20 x 3/4.....	1
12	513762	Clamp, hose.....	1	33	513601	Channel, tank mount.....	1
13	543649	Hose, fuel (7").....	1	34	513508	Cap, fuel tank.....	1
14*	523274	Engine, Kohler CH 20S.....	1	35	513243	Tank, fuel.....	1
*		Filter, oil (Kohler) #12-050-01.....	1	36	513643	Baffle, engine (LH).....	1
*		Filter, air (Kohler) #47-083-03.....	1	37	803035	Rivet, 3/16 x 1/4.....	4
*		Foam, precleaner #24-083-02.....	1	38	802002	Screw, tap 10-32 x 1/2.....	8
15	543277	Elbow, fuel tank.....	1	39	513142	Baffle, engine (air).....	1
16	809012	Nut, whizlock 1/4-20.....	10	40	523283	Baffle, engine (rear).....	1
17	513636	Shield, heat (front).....	1	41	803010	Rivet, 3/16x1/4.....	8
18	513637	Shield, heat (RH).....	1	42	513462	Hinge, engine cover.....	1
19	800251	Screw, 1/4-20 x 5/8.....	10	43	513461	Cover, engine.....	1
20	803028	Screw, 10-24 x 5/8.....	10	44	523275	Shield, heat (fuel tank).....	1
				45	523298	Pad, fuel tank.....	2
				46	523285	Clip, rear baffle.....	2

◇ Use Pro-Lock, Nut type (Part No. 840022, .5 ml tube) on set screws and to fan mounting bolts.

* Not Illustrated.

Exmark black touch up spray paint - Gloss black

