

M216KA

For Serial Nos.
440,000 & Higher



PARTS MANUAL

METRO[®] 21

CONGRATULATIONS on the purchase of your new Exmark mower. This product has been carefully designed and manufactured to give you a maximum amount of dependability and years of trouble-free operation. If additional information is needed, or should you require trained mechanic service, contact your authorized Exmark equipment dealer or distributor. If you need to order replacement parts from your dealer, always give the model number and serial number of your mower as well as the part number, description and quantity of the part needed.

The Serial No. plate is located on the top of the mower deck on the right hand corner of the machine. For ease of ordering and reference, we suggest that you record the information requested in the following identification table.

<p>Place Model No. and Serial No. Label Here (Included in Literature Pack) or Fill in Below</p> <p>Model No. _____</p> <p>Serial No. _____</p>
--

Engine Model No. and Spec. No. (Code) _____

Engine Serial No. (E/No) _____

Date Purchased _____

EXMARK PARTS PLUS® PROGRAM

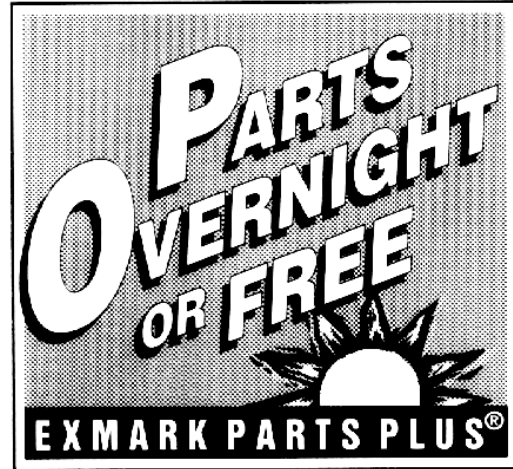
EFFECTIVE DATE: September 1, 1995

Program

If your Exmark dealer does not have the Exmark part in stock, Exmark will get the parts to the dealer the next business day or the part will be FREE* Guaranteed!!

How the Program Works

1. If dealer does not have part in stock for a "down" unit at the time of request by customer, the dealer contacts his distributor by 1:00 p.m., local time, and requests Exmark Parts Plus® shipment of six (6) line items or less.
2. Distributor ships part(s) to dealer or customer, as requested by dealer, same day, overnight UPS. Distributor bills dealer for part and freight charges where applicable.
3. If distributor does not have the part(s) in stock to satisfy Exmark Parts Plus® order, he contacts Exmark by 3:00 p.m., central time, with an Exmark Parts Plus® order of six (6) line items or less.
4. If order is received by 3:00 p.m. central time, Exmark ships part(s) direct to dealer or customer, as requested by distributor, same day, overnight UPS, Exmark bills the distributor for parts and shipping charges, where applicable.
5. The customer pays for the part and freight if it is shipped under the Exmark Parts Plus® and if it arrives in accordance to the program.
6. Who pays for the part and freight if it fails to arrive overnight in accordance to the program?
 - A. Under any circumstance the customer does not pay.
 - B. If the part does not arrive overnight due to:
 1. The dealer not submitting the Exmark Parts Plus® order to his Exmark distributor by 1:00 p.m., the dealer pays for the part and freight.
 2. The Distributor being unable to ship the part the same day or not submitting the Exmark Parts Plus® order to Exmark by 3:00 p.m., central time, the Distributor pays for the part and freight.
 3. Exmark being unable to ship the part and the Exmark parts order is received by 3:00 p.m., central time, Exmark pays for the part and freight.
 4. If the part does not arrive overnight due to the shipper (UPS), the shipper pays for the freight and Exmark pays for the part.



The following restrictions apply -- The Exmark Parts Plus® Program is available only through participating Exmark Dealers and applies only to orders submitted on this program Monday through Thursday. Parts Plus service is available only in the 48 contiguous United States. UPS has initiated a Saturday delivery program to many areas of the continental United States and can be requested for an overnight shipment on Friday to be delivered Saturday. The next day air charge, plus the Saturday delivery fee will be the responsibility of the purchaser. Exmark Mfg. will assume no responsibility for Saturday delivery shipments. To qualify, all Exmark Parts Plus® orders must be received by Exmark by 3:00 p.m., central time. Orders must be six (6) line items or less. Exclusions from the Exmark Parts Plus® Program are: Any wholegood or accessory in its entirety, engines and engine replacement parts, 5-speed Peerless transmissions and 5-speed transaxles, hydraulic or hydrostatic wheel motors, cutter decks and engine decks or any item exceeding United Parcel Service size and weight restrictions.

Due to UPS restrictions, aerosol spray paint is considered a hazardous material and cannot be shipped via UPS next day or Second Day Air.

Exmark Manufacturing stocks a limited supply of parts for transaxles, pumps and wheel motors. These parts can be ordered for Next Day Air shipment but will not be guaranteed per the Parts Plus Program



**READ OPERATOR'S MANUAL BEFORE
OPERATING OR SERVICING EXMARK EQUIPMENT.**

TABLE OF CONTENTS

<u>Description</u>	<u>Page</u>
Deck, Chute and Front Wheel Assembly	4
Wheel and Tire Assembly No. 100-2870	6
Engine, Fuel Tank and Blade Assembly	7
Handle Assembly	8
Grass Bag Assembly No. 100-2886	9

Part Description Abbreviations

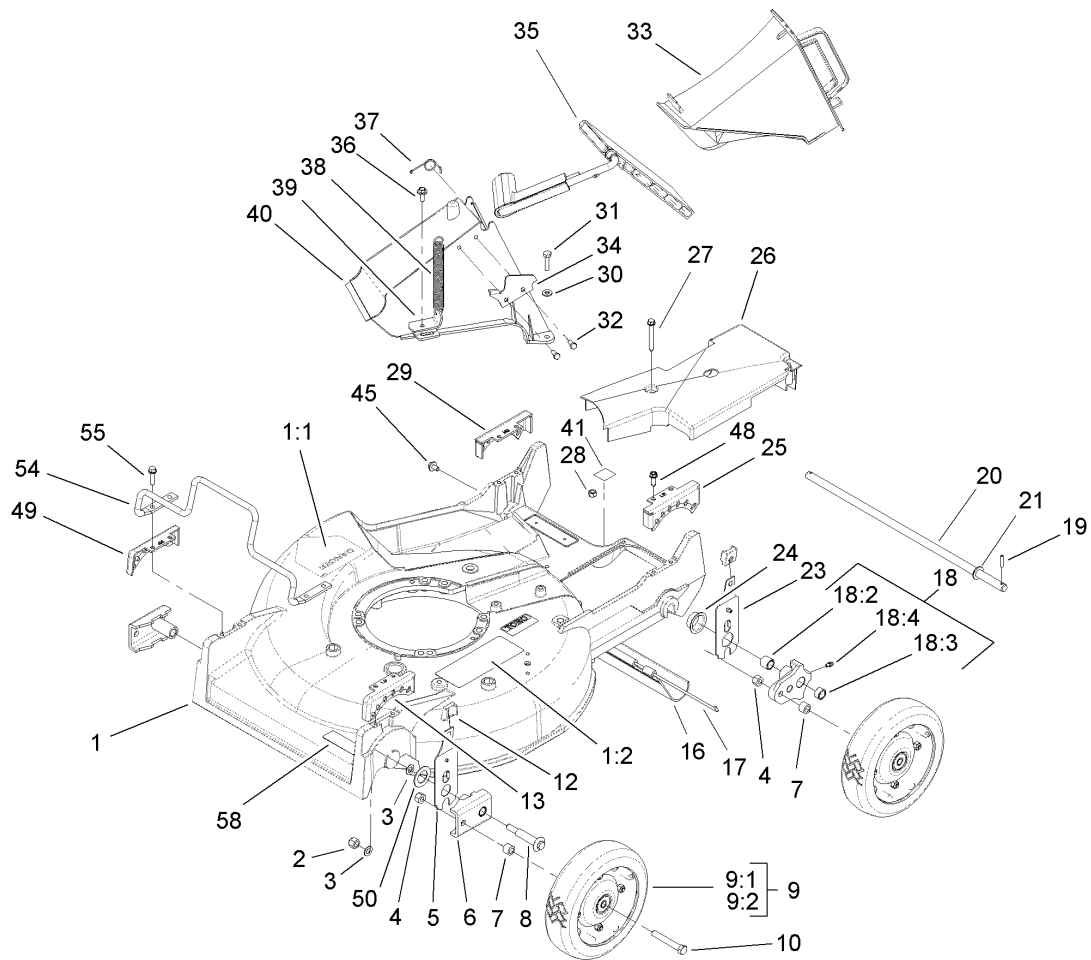
Part descriptions in this catalog may include the following abbreviations.

AR. as required	HYD. hydraulic
ASM. assembly	INC. incorporated
CARR. carriage	LH. left hand
DEG. degrees	NI. nylon insert
FH. flat head	PPH. phillips pan head
GA. gauge	PTH. phillips truss head
HF. hex flange	PTO. power take off
HH. hex head	RH. right hand
HHF. hex head flange	SFH. slotted fillister head
HHFTF. hex head flange thread forming	SHH. slotted hex head
HJ. hex jam	SHWH. slotted hex washer head
HLH. hex lag head	SPH. slotted pan head
HOC. height-of-cut	SQH. square head
HS. hex	SRH. slotted round head
HSBH. hex socket button head	STD. standard
HSFH. hex socket flat head	TAP. self tapping
HSH. hex socket head	TTH. torx truss head
HWH. hex washer head	WH. wing head
HWHTF. hex washer head thread forming	

Footnotes

❶ Not illustrated

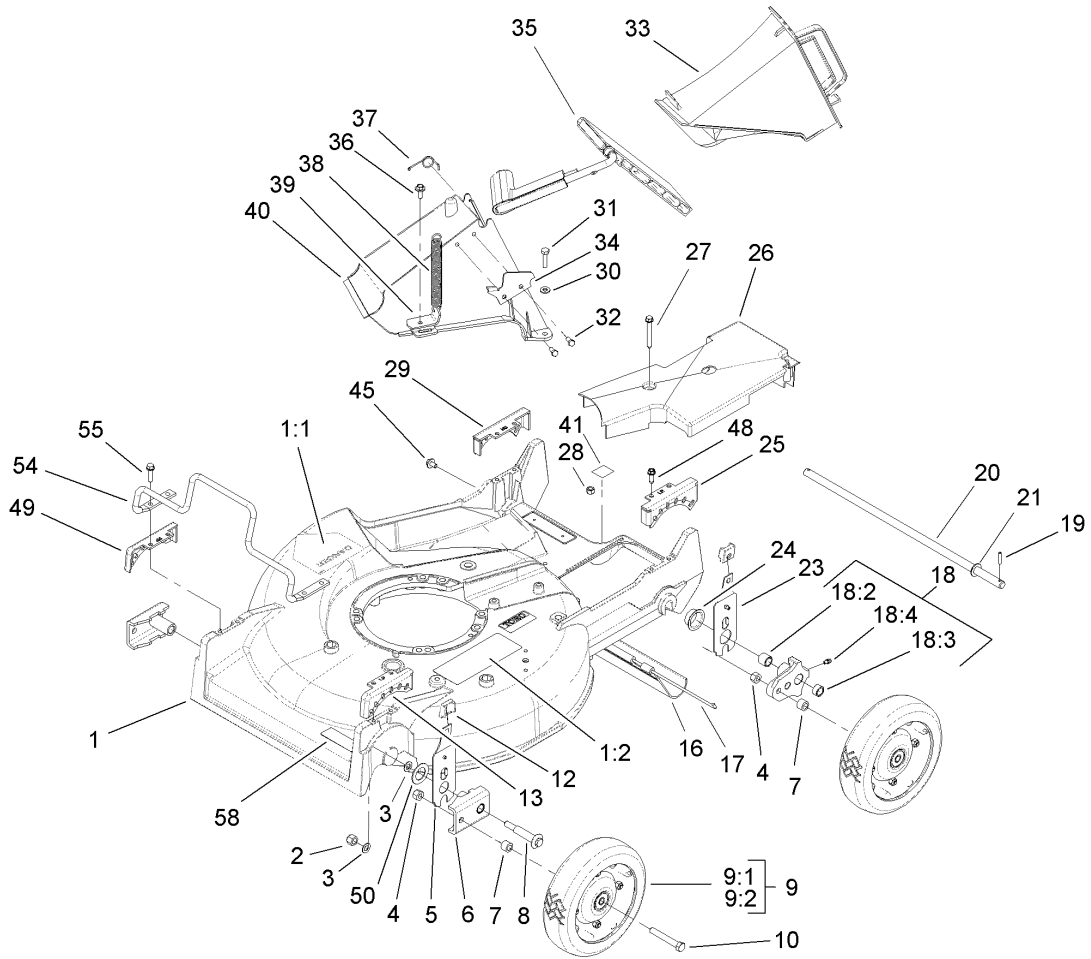
❷ Not serviced separately



Deck, Chute and Front Wheel Assembly

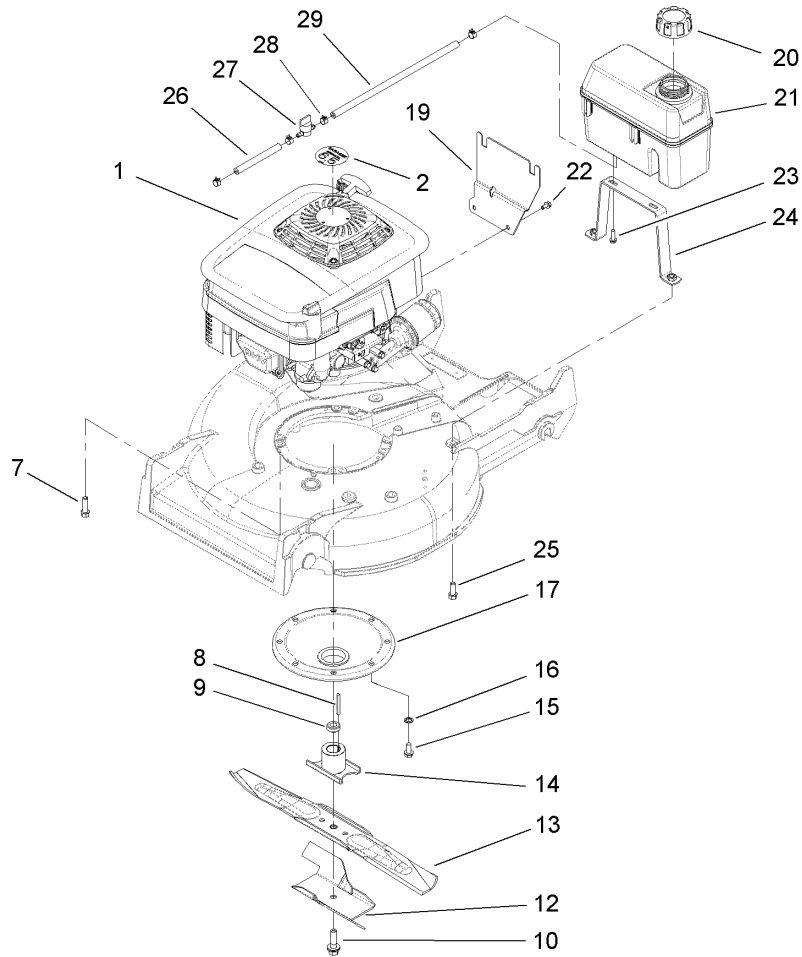
Ref	Part No.	Qty.	Description
1	98-8027	1	Housing ASM
1:1	39-5770	1	Decal-Danger
1:2	104-8585	1	Decal-Warning
2	3296-6	2	Nut-Lock, NI
3	40-1940	4	Washer
4	32152-2	4	Nut-Hex
5	66-7560	2	Front Spring Arm ASM
6	61-8300	2	Arm-Pivot, Front
7	52-2480	4	Spacer-Wheel
8	27-6232	2	Bolt-Wheel
9	100-2870	4	Wheel And Tire ASM
9:1	53-7740	1	Tire
9:2		1	Wheel ASM
10	323-12	4	Screw-HH
12	25-7740	4	Knob-Arm
13	49-8760	1	Quadrant-Front, LH
16	44-0580	1	Shield-Trailing
17	33-3208	1	Rod-Shield
18	42-3510	2	Pivot Arm ASM
18:2	47-2900	1	Bushing
18:3	47-2890	1	Bushing
18:4	302-56	1	Fitting-Grease
19	32121-108	2	Pin-Spirol
20	49-8790	1	Shaft-Axle, Rear

Ref	Part No.	Qty.	Description
21	36-4780	4	Washer
23	66-7561	2	Rear Spring Arm ASM
24	48-2170	2	Cap-End
25	49-8740	1	Quadrant-Rear, LH
26	63-9441	1	Cover-Belt
27	37-7260	2	Screw-HH
28	3296-42	2	Nut-Lock, NI
29	49-8750	1	Quadrant-Rear, RH
30	3256-22	2	Washer-Flat
31	321-7	2	Screw-HH
32	46-8090	2	Screw-Plastite
33	77-0500	1	Discharge Plug ASM
33:1	3295-35	1	Rivet-Head, Flat
33:3	76-4640	1	Latch-Plug, Discharge
33:4	76-4650	1	Grip-Latch
34	93-3154	1	Latch-Plate
35	93-7351	1	Discharge Door ASM
36	46-6811	1	Screw-HWH
37	80-3770	1	Retainer-Door
38	76-4660	1	Spring-Door
39	71-9350	1	Bracket-Spring
40	82-9152	1	Tunnel-Discharge
41	52-2610	1	Label-Grease, Hp
45	46-6810	1	Screw And Washer ASM



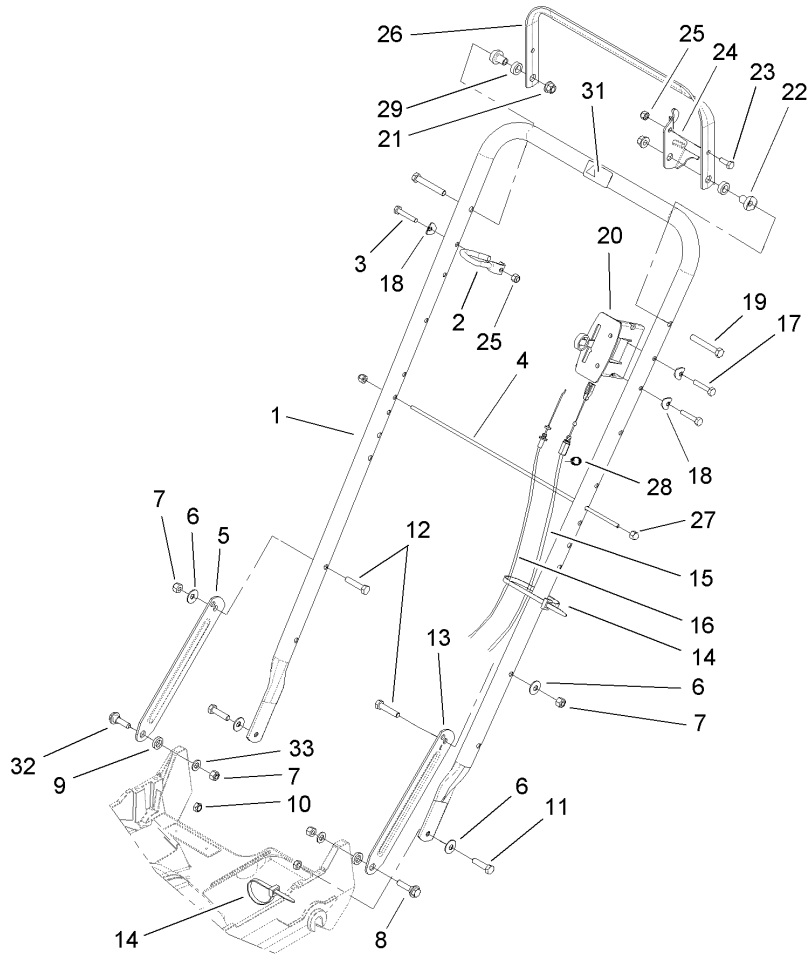
Deck, Chute and Front Wheel Assembly (continued)

Ref	Part No.	Qty.	Description
48	49-2040	4	Screw-Tapping
49	49-8770	1	Quadrant-Front, RH
50	257-3	2	Washer-Thrust
54	99-6722	1	Guard-Engine
55	32144-86	4	Screw-Hwh, Thread Forming
58	68-7410	1	Decal-Blade



Engine, Fuel Tank and Blade Assembly

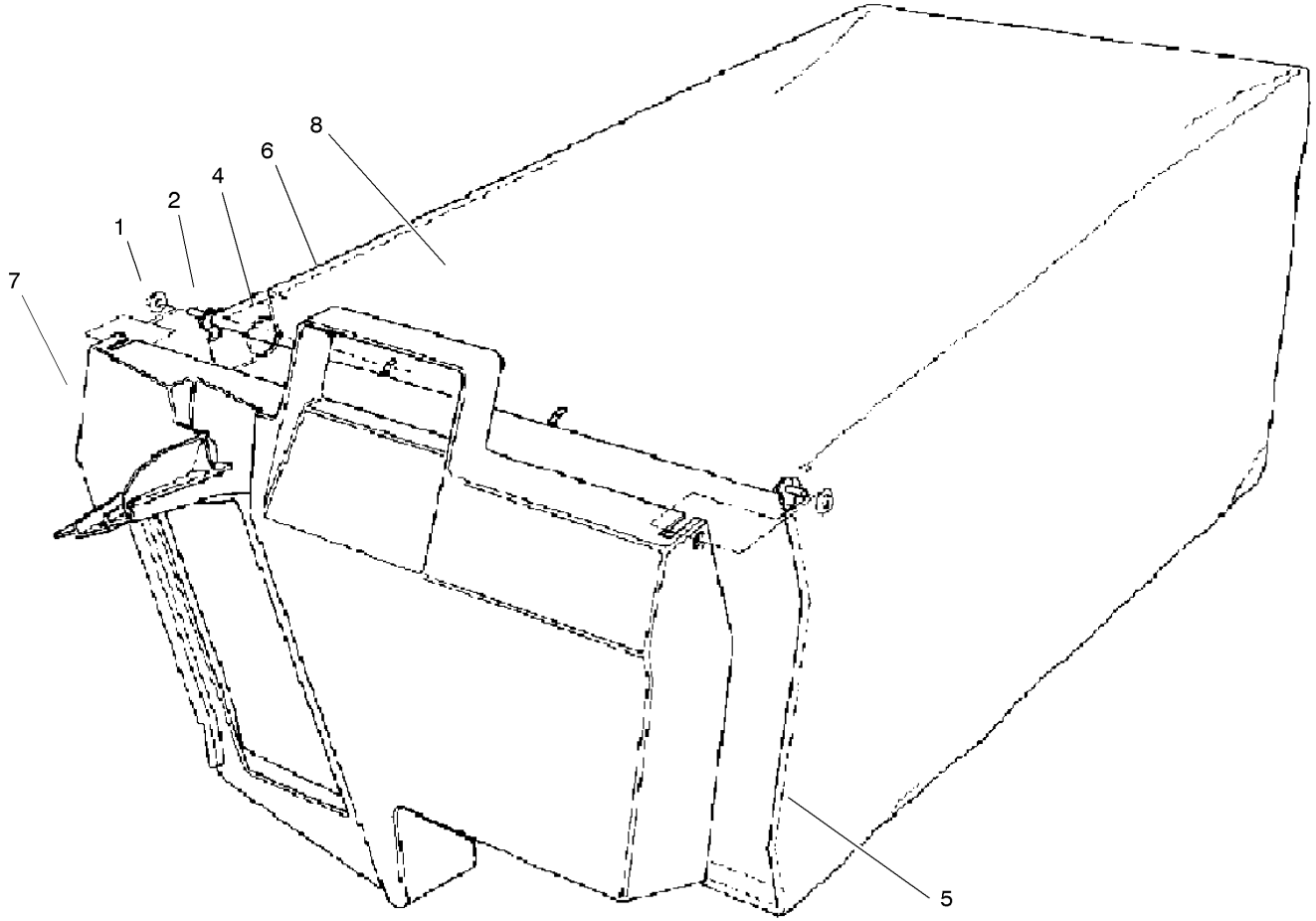
Ref	Part No.	Qty.	Description				
1		1	Engine-Kawasaki, Fj180v-As10				
2	106-0843	1	Decal-Recoil				
7	95-1727	4	Screw-Taptite				
8	7-0036	1	Key-Square				
9	103-3795	1	Spacer-Retainer, Blade				
10	105-8579	1	Bolt-Blade				
12	92-1599-03	1	Stiffener-Blade				
13	42-1000	1	Blade-21in				
14	52-2170	1	Retainer-Blade				
15	32144-70	3	Screw-HH				
16	3254-6	3	Washer-Lock, Internal				
17	48-2591	1	Protector-Crankshaft				
19	106-0908-03	1	Bracket-Tank				
20	93-7198	1	Gas Cap ASM				
21	106-0625	1	Tank-Fuel				
22	104-2628	3	Screw-HWH				
23	46-8091	2	Screw-HWH				
24	84-9160-03	1	Base-Tank				
25	95-1726	2	Screw-Taptite				
26	47-2983	1	Hose-Fuel				
27	1-603770	1	Valve-Fuel				
28	2412-98	4	Clamp				
29	106-0999	1	Hose-Gas				



Handle Assembly

Ref	Part No.	Qty.	Description
1	98-2000-03	1	Handle
2	46-8081	1	Guide-Rope
3	321-9	1	Screw-HH
4	48-2810	1	Rod-Support, Bag
5	103-0142	1	Latch-Handle, RH
6	3290-456	4	Washer-Belleville
7	3296-29	5	Nut-Lock, NI
8	27-7210	1	Screw-Shoulder
9	3-3287	2	Spacer-Latch, Handle
10	3296-47	2	Nut-Lock, NI
11	322-6	2	Screw-HH
12	322-7	2	Screw-HH
13	103-0143	1	Latch-Handle, LH
14	3290-378	2	Tie-Cable
15	103-2684	1	Cable-Brake
16	106-0888	1	Throttle Cable ASM
17	321-13	2	Screw-HH
18	3-7501	3	Washer
19	322-11	2	Screw-HH
20	103-5296	1	Control-Throttle
21	3296-58	2	Nut-Lock NI
22	49-1630	2	Spacer-Support
23	321-4	1	Screw-HH
24	66-5350	1	Lever-Control

Ref	Part No.	Qty.	Description
25	3296-42	2	Nut-Lock, NI
26	61-8270-03	1	Bar-Control
27	32111-7	2	Nut-Cap
28	32151-86	2	E-Ring
29	256-276	2	Spacer-Nylon
31	104-1329	1	Decal-Protection, Hearing
32	27-7211	1	Screw-Shoulder
33	3256-23	4	Washer-Flat
99	100-2886	1	Grass Bag ASM



Grass Bag Assembly No. 100-2886

Ref	Part No.	Qty.	Description				
1	3290-422	2	Nut-Push				
2	33-4820	1	Hinge-Door, Bag				
4	36-6910	2	Spring				
5	42-4020	1	Frame-Bag				
6	42-4030	1	Frame-Bag, Upper				
7	48-2840	1	Door-Bag, Grass				
8	98-8017	1	Bag-Grass				

NOTES

NOTES

**SEE EXMARK'S COMPLETE
LINE OF PRODUCTS FOR TURF CARE**

LAZER Z[®]

LAZER Z[®] HP

LAZER Z[®] XP

LAZER Z[®] CT

TURF RANGER[®]

VIKING HYDRO

TURF TRACER[®]

TURF TRACER[®] HP

METRO[®]

METRO[®] HP

ULTRA VAC[™]

ULTRA VAC[™] QDS

GRASS CATCHER

MICRO-MULCH[™] ACCESSORY

SELF STEERING SULKY

©1997 - 2003
EXMARK MFG. CO. INC.
INDUSTRIAL PARK BOX 808
BEATRICE, NE 68310
ALL RIGHTS RESERVED

PART NO. 3329-963
(402) 223-6300
FAX (402) 223-5489
PRINTED IN U.S.A.

