



M216KA

For Serial Nos.
220,000 & Higher



PARTS MANUAL

METROTM 21

ZONE START HAND PUSH MODEL

CONGRATULATIONS on the purchase of your new Exmark mower. This product has been carefully designed and manufactured to give you a maximum amount of dependability and years of trouble-free operation.

If additional information is needed, or should you require trained mechanic service, contact your authorized Exmark equipment dealer or distributor.

If you need to order replacement parts from your dealer, always give the model number and serial number of your mower as well as the part number, description and quantity of the part needed.

The Serial No. plate is located on the top of the mower deck on the right hand rear corner.

For ease of ordering and reference, we suggest that you record the information requested in the following identification table.

Model No. _____

Serial No. _____

Engine Model No. _____

Engine Serial No. _____

Date Purchased _____

Paste Label From
Literature Packet Here

EXMARK PARTS PLUS® PROGRAM

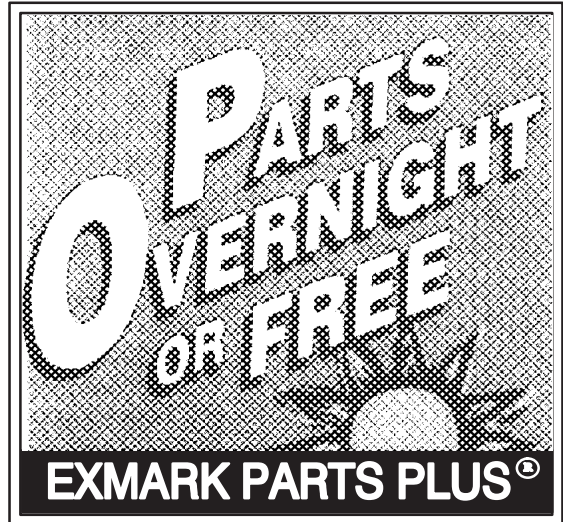
EFFECTIVE DATE: September 1, 1995

Program

If your Exmark dealer does not have the Exmark part in stock, Exmark will get the parts to the dealer the next business day or the part will be FREE* Guaranteed!!

How the Program Works

1. If dealer does not have part in stock for a "down" unit at the time of request by customer, the dealer contacts his distributor by 1:00 p.m., local time, and requests Exmark Parts Plus® shipment of six (6) line items or less.
2. Distributor ships part(s) to dealer or customer, as requested by dealer, same day, overnight UPS. Distributor bills dealer for part and freight charges where applicable.
3. If distributor does not have the part(s) in stock to satisfy Exmark Parts Plus® order, he contacts Exmark by 3:00 p.m., central time, with an Exmark Parts Plus® order of six (6) line items or less.
4. If order is received by 3:00 p.m. central time, Exmark ships part(s) direct to dealer or customer, as requested by distributor, same day, overnight UPS, Exmark bills the distributor for parts and shipping charges, where applicable.
5. The customer pays for the part and freight if it is shipped under the Exmark Parts Plus® and if it arrive in accordance to the program.
6. Who pays for the part and freight if it fails to arrive overnight in accordance to the program?
 - A. Under any circumstance the customer does not pay.
 - B. If the part does not arrive overnight due to:
 1. The dealer not submitting the Exmark Parts Plus® order to his Exmark distributor by 1:00 p.m., the dealer pays for the part and freight
 2. The Distributor being unable to ship the part the same day or not submitting the Exmark Parts Plus® order to Exmark by 3:00 p.m., central time, the Distributor pays for the part and freight.
 3. Exmark being unable to ship the part and the Exmark parts order is received by 3:00 p.m., central time, Exmark pays for the part and freight.
 4. If the part does not arrive overnight due to the shipper (UPS), the shipper pays for the freight and Exmark pays for the part.



The following restrictions apply — The Exmark Parts Plus® Program is available only through participating Exmark Dealers and applies only to orders submitted on this program Monday through Thursday. Parts Plus service is available only in the 48 contiguous United States. UPS has initiated a Saturday delivery program to many areas of the continental United States and can be requested for an overnight shipment on Friday to be delivered Saturday. The next day air charge, plus the Saturday delivery fee will be the responsibility of the purchaser. Exmark Mfg. will assume no responsibility for Saturday delivery shipments. To qualify, all Exmark Parts Plus® orders must be received by Exmark by 3:00 p.m., central time. Orders must be six (6) line items or less. Exclusions from the Exmark Parts Plus® Program are: Any wholegood or accessory in its entirety, engines and engine replacement parts, 5-speed Peerless transmissions and 5-speed transaxles, hydraulic or hydrostatic wheel motors, cutter decks and engine decks or any item exceeding United Parcel Service size and weight restrictions.

Due to UPS restrictions, aerosol spray paint is considered a hazardous material and cannot be shipped via UPS next day or Second Day Air.

Exmark Manufacturing stocks a limited supply of parts for transaxles, pumps and wheel motors. These parts can be ordered for Next Day Air shipment but will not be guaranteed per the Parts Plus Program.



WARNING

READ OPERATOR'S MANUAL BEFORE
OPERATING OR SERVICING EXMARK EQUIPMENT.

TABLE OF CONTENTS

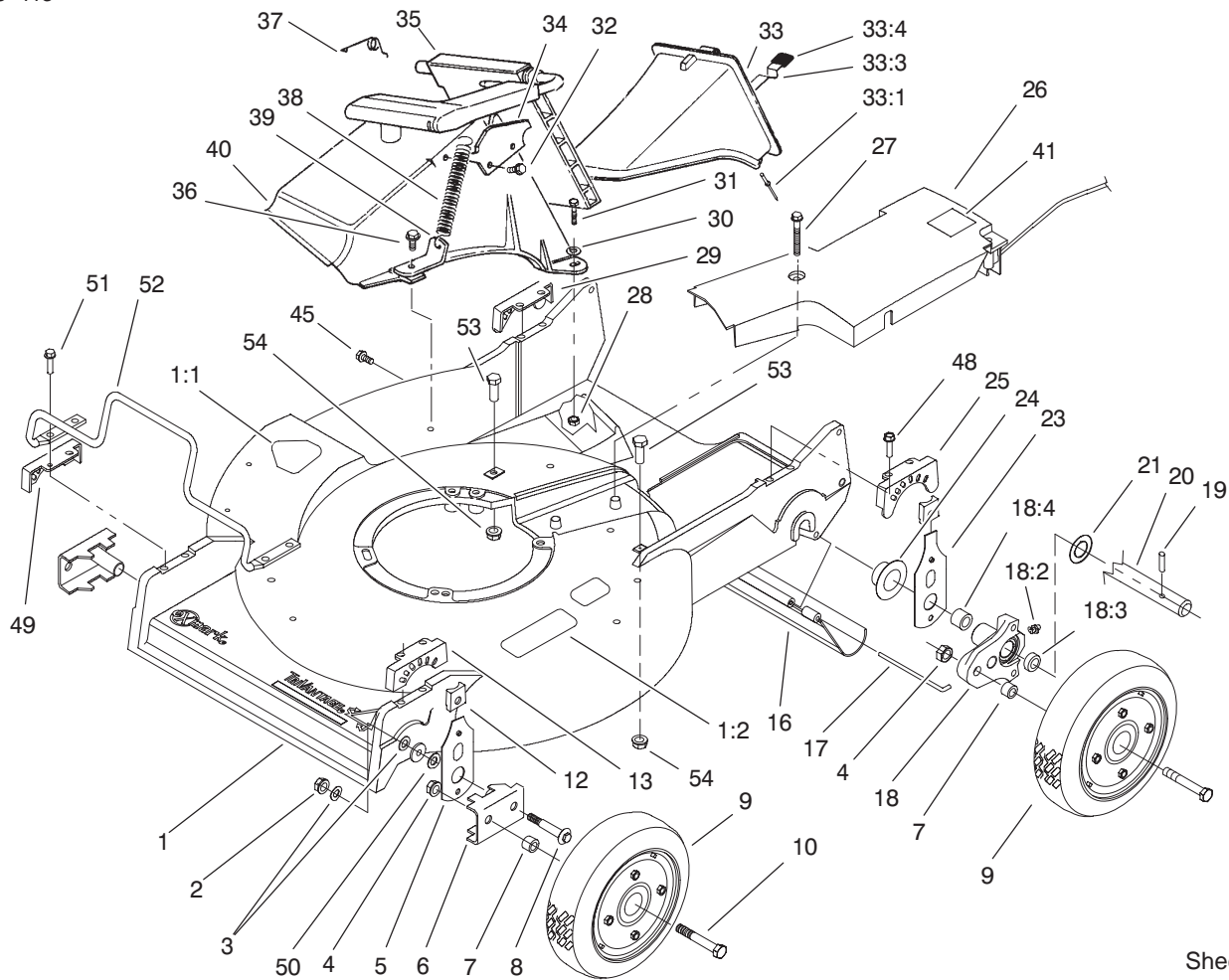
<u>Description</u>	<u>Page</u>
Housing Assembly	4
Wheel & Tire Assembly No. 53-7720	6
Engine and Blade Assembly	7
Handle Assembly	8
Grass Bag Assembly No. 100-2886	9

Service Assemblies

Parts within service assemblies have reference numbers in the form *X:Y*. *X* is the reference number of the service assembly and *Y* is a sequential number unique to each part within the service assembly.

For example, a wheel assembly might be identified by reference number 6, the tire by 6:1, the valve by 6:2, and the wheel by 6:3. When you order the assembly identified by reference number 6, you receive all parts identified by reference numbers 6:1, 6:2, and 6:3. However, you may also order any part individually.

Reference numbers of this type appear in part lists and as callouts in illustrations.

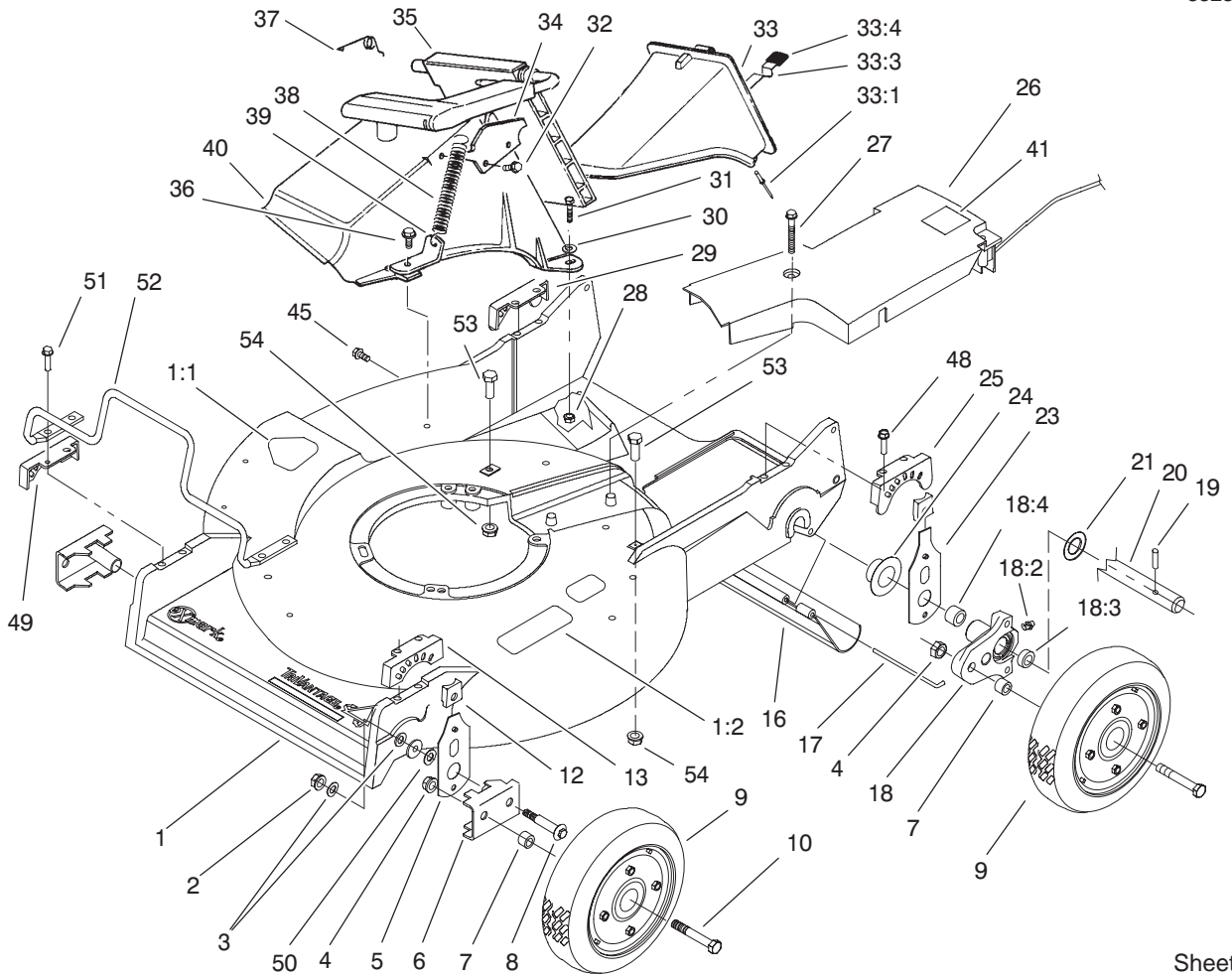


Sheet No.:2

Housing Assembly

Ref. No.	Part No.	Qty.	Description
1	98-8027	1	Housing ASM
1:1	39-5770	1	Decal-Danger
1:2	100-3279	1	Decal-Warning
2	3296-6	2	Nut-Lock, NI
3	40-1940	4	Washer-Bolt, Wheel
4	32152-2	4	Nut-Conelock
5	66-7560	2	Front Spring Arm ASM
6	61-8300	2	Arm-Pivot, Front
7	52-2480	4	Spacer-Wheel
8	27-6232	2	Bolt-Wheel
9	53-7720	4	Wheel & Tire ASM
10	323-12	4	Screw-HH
12	25-7740	4	Knob-Arm
13	49-8760	1	Quadrant-Front, LH
16	44-0580	1	Shield-Trailing
17	33-3208	1	Rod-Shield
18	42-3510	2	Pivot Arm ASM
18:2	302-56	1	Fitting-Zerk
18:3	47-2890	1	Bushing
18:4	47-2900	1	Bushing
19	32121-108	2	Pin-Spirol
20	49-8790	1	Shaft-Rear Axle
21	36-4780	4	Washer
23	66-7561	2	Rear Spring Arm ASM
24	48-2170	2	Cap-End
25	49-8740	1	Quadrant-Rear, LH

Ref. No.	Part No.	Qty.	Description
26	99-6296	1	Cover-Belt
27	37-7260	2	Screw-HH
28	3296-42	2	Nut-Lock
29	49-8750	1	Quadrant-Rear, RH
30	3256-22	2	Washer-Flat
31	321-7	2	Screw-HH
32	46-8090	2	Screw-Plastite
33	77-0500	1	Discharge Plug ASM
33:1	3295-35	1	Rivet-Head, Flat
33:3	76-4640	1	Latch-Plug, Discharge
33:4	76-4650	1	Grip-Latch
34	93-3154	1	Latch-Plate
35	93-7351	1	Discharge Door ASM
36	46-6811	1	Screw & Washer ASM
37	80-3770	1	Retainer-Door
38	76-4660	1	Spring-Door
39	71-9350	1	Bracket-Spring
40	82-9152	1	Tunnel-Discharge
41	52-2610	1	Label-HP Grease
45	46-6810	1	Screw & Washer ASM
48	49-2040	4	Screw-Taptite
49	49-8770	1	Quadrant-Front, RH
50	257-3	2	Washer-Thrust

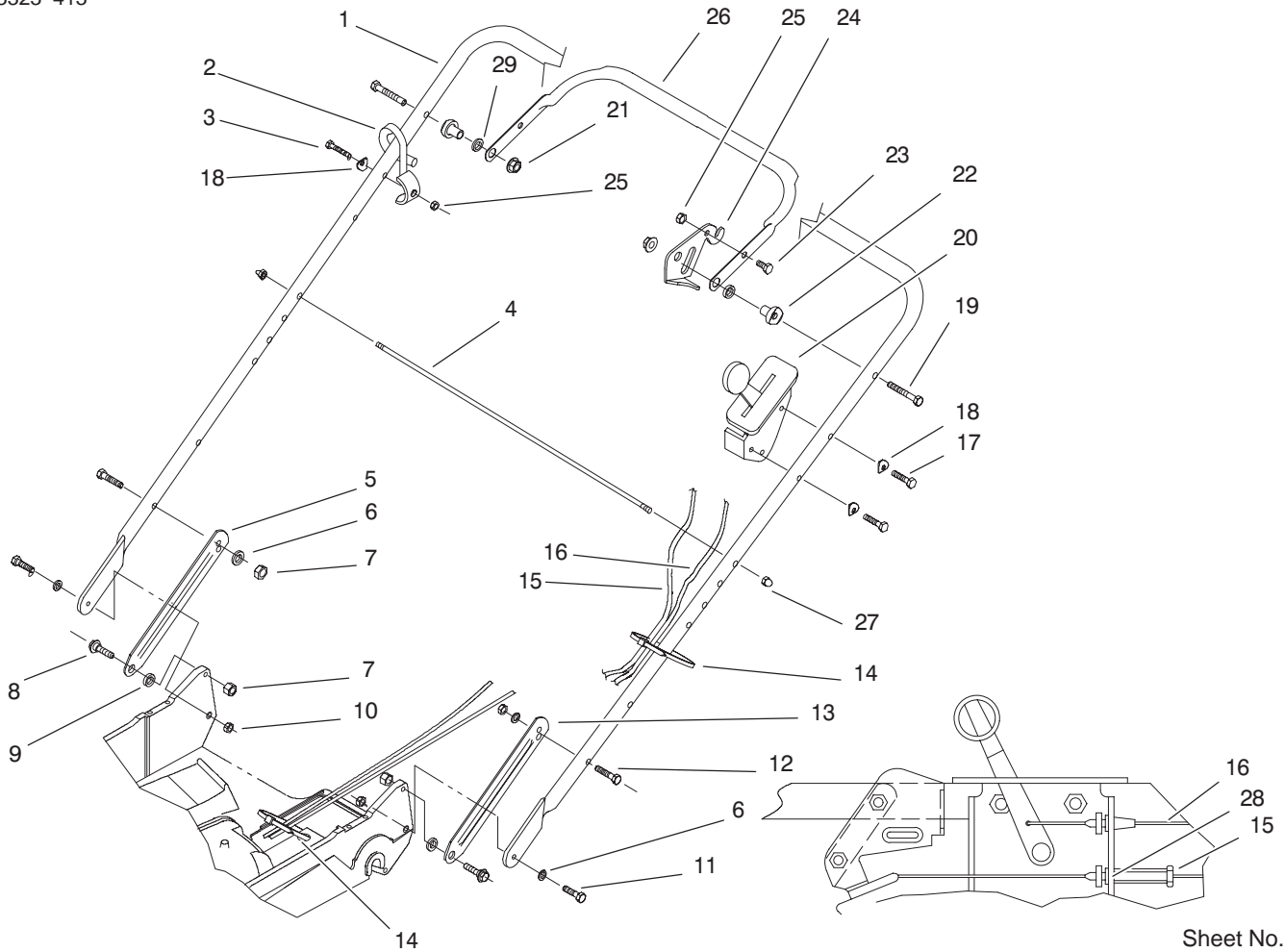


Sheet No.:2

Housing Assembly (Continued)

Ref. No.	Part No.	Qty.	Description
51	32144-86	4	Screw-HH
52	99-6722	1	Guard-Engine
53	323-6	2	Screw-HH
54	3296-39	2	Nut-Lock, NI

Ref. No.	Part No.	Qty.	Description



Sheet No.:4

Handle Assembly

Ref. No.	Part No.	Qty.	Description
1	98-2000-03	1	Handle
2	46-8081	1	Guide-Rope
3	321-9	1	Screw-HH
4	48-2810	1	Rod-Support, Bag
5	103-0142	1	Latch-Handle, RH
6	3290-456	4	Washer-Belleville
7	3296-29	4	Nut-Lock, NI
8	27-7210	2	Screw-Shoulder
9	3-3287	2	Spacer-Latch, Handle
10	3296-47	2	Nut-Lock, NI
11	322-6	2	Screw-HH
12	322-7	2	Screw-HH
13	103-0143	1	Latch-Handle, LH
14	3290-378	2	Tie-Cable
15	100-2838	1	Cable-Brake
16	70-1061	1	Cable-Throttle
17	321-13	2	Screw-HH
18	3-7501	3	Washer
19	322-11	2	Screw-HH
20	82-9952	1	Bracket-Throttle Control
21	3296-58	2	Nut-Lock NI
22	49-1630	2	Spacer-Support
23	321-4	1	Screw-HH
24	66-5350	1	Lever-Control
25	3296-42	2	Nut-Lock

Ref. No.	Part No.	Qty.	Description
26	61-8270-03	1	Bar-Control
27	32111-7	2	Nut-Cap
28	32151-86	2	E-Ring
29	256-276	2	Spacer-Nylon
*	100-2512	1	Tube-Oil Drain

* Not illustrated

**SEE EXMARK'S COMPLETE
LINE OF PRODUCTS FOR TURF CARE**

LAZER Z™

LAZER Z™ HP

TURF RANGER®

TURF TRACER®

TURF TRACER® HP

VIKING HYDRO

METRO™

METRO™ HP

SELF STEERING SULKY

GRASS CATCHER

MICRO MULCH™ ACCESSORY

©1997, 1998, 1999
EXMARK MFG. CO. INC
INDUSTRIAL PARK BOX 808
BEATRICE NE. 68310

FORM NO. 3323-413
(402) 223-6300
FAX (402)223-6384

ALL RIGHTS RESERVED

PRINTED IN U. S. A.

