

Lubrication

Greasing the Bearings

Grease Type: NGLI grade #2 multi-purpose gun grease.

Grease the front caster pivots and wheels (Figure 21).

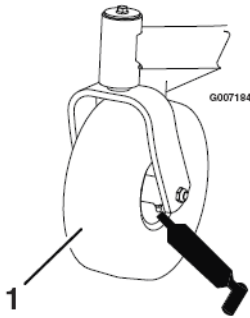


Figure 21

1. Front caster tire

1. Park the machine on a level surface and disengage the blade control switch.
2. Move the motion control levers outward to the neutral position, engage parking brake, stop the engine, remove the key, and wait for all moving parts to stop before leaving the operating position.
3. Clean the grease fittings (Figure 21 and Figure 22) with a rag. Make sure to scrape any paint off of the front of the fitting(s).

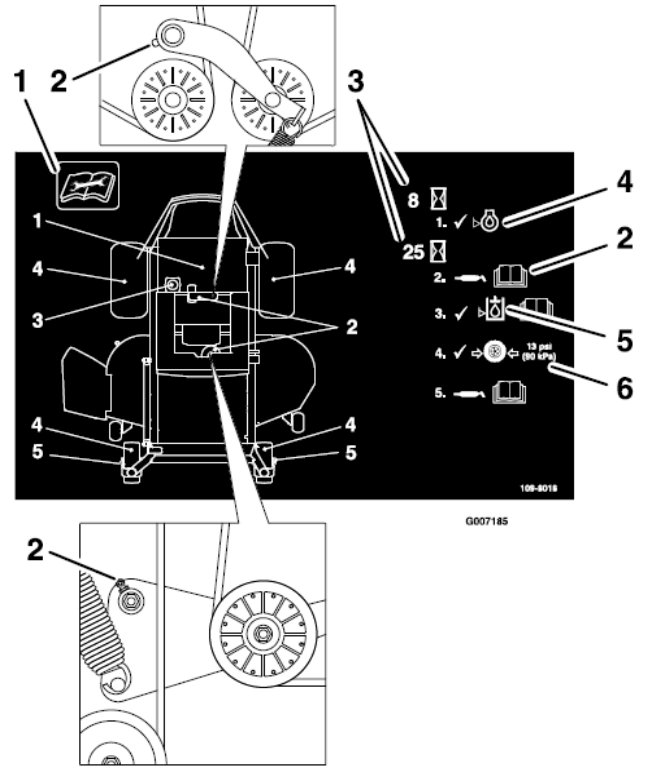


Figure 22

Located on the back of the seat.

- | | |
|---|---|
| 1. Read the instructions before servicing or performing maintenance | 4. Check oil level. |
| 2. Grease idler pivots. | 5. Check hydraulic oil level and refer to Operator's manual for further instructions. |
| 3. Time interval. | 6. Check tire pressure. |
-
4. Connect a grease gun to each fitting (Figure 21 and Figure 22). Pump grease into the fittings until grease begins to ooze out of the bearings.
 5. Wipe up any excess grease.