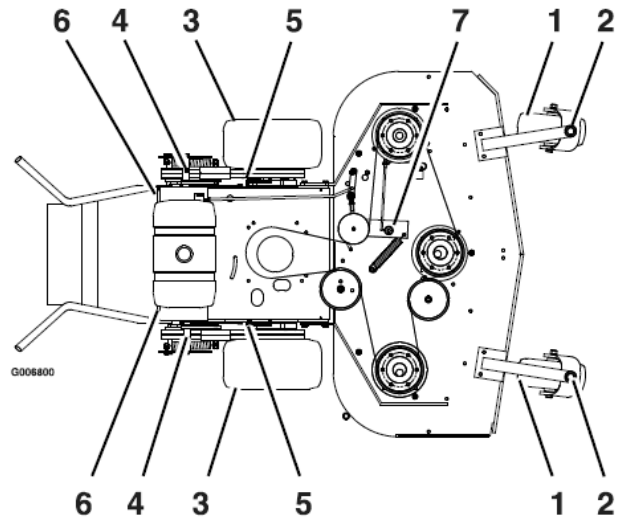


Lubricate Grease Fittings

Note: See chart for service intervals.

1. Stop engine, wait for all moving parts to stop, and remove key. Engage parking brake.
2. Lubricate fittings with NGLI grade #2 multi-purpose gun grease.

Refer to the following chart for fitting locations and lubrication schedule.



48 inch Deck Shown for Reference Only

Number 4 and 7 (Idler Arm Pivots) Disassemble and grease once a month under a “No Load” condition

Number 6 (Transmission Coupler) Located below fuel tank support

3. Replace 5-speed gearbox grease yearly. Use 18 oz. of Peerless grease (Part No. 788067). See **Check Grease Level, Input and Output Shaft Bearing Wear on Peerless Transmission** section for special lubrication instructions.
4. Lubricate pivot points with a spray penetrating lubricant as shown in the **Spray Lubricant Chart**.

Spray Lubricant Chart

Pivot Points	Number of Places			Service Interval
	32 inch Deck	36 inch Deck	48 inch Deck	
1. Blade Engagement Bellcrank	1	1	1	40 hours

Lubrication Chart

Fitting Locations	Initial Pumps	Number of Places			Service Interval
		32 inch Deck	36 inch Deck	48 inch Deck	
1. Front Caster Wheel Bearings	12	2	2	2	Daily
2. Front Caster Pivots	2	2	2	2	Daily
3. Drive Wheels	18	2	2	2	Daily
4. Drive Wheel Idler Arm	2	2	2	2	Daily
5. Brake Arm	2	2	2	2	40 hours
6. Transmission Output Shaft Coupler	2	2	2	2	40 hours
7. Mower Deck Idler Pivots	2	1	1	1	40 hours